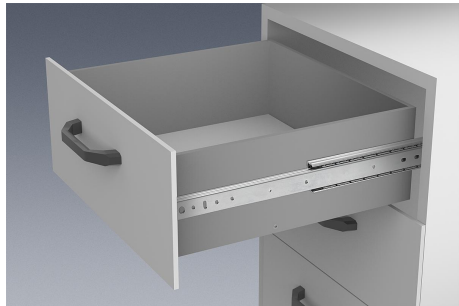


## Telescopic slides, steel for side mounting, full extension, load capacity up to 136 kg

Item description/product images



### Description

#### Material:

Steel slides.  
Plastic ball cages.  
C-steel balls.

#### Version:

Slides electro zinc-plated.  
Balls hardened.

#### Note for ordering:

Supplied in pairs

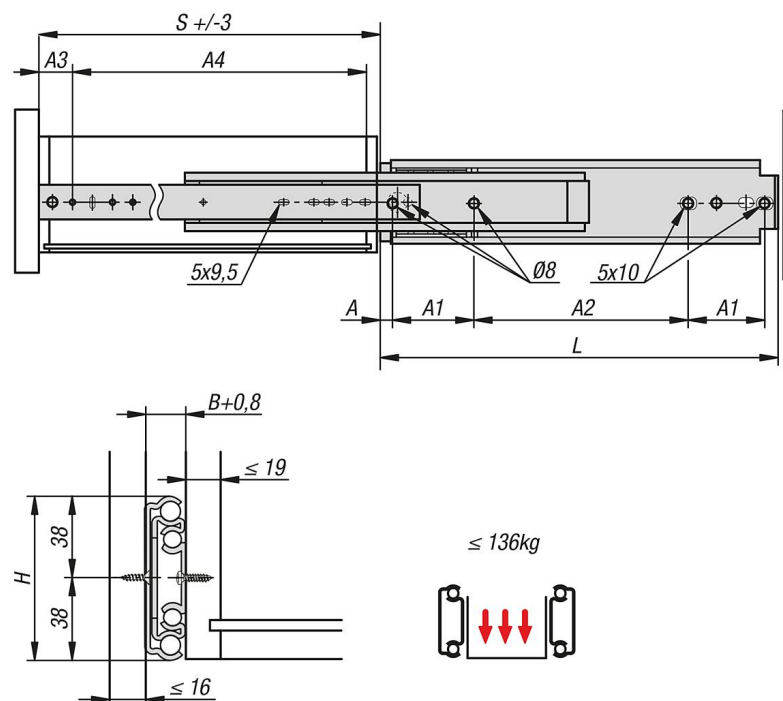
#### Note:

On telescopic slides with full extension, the travel is equal to the installed length, which ensures greater comfort and accessibility. Interlocking in closed position. The dynamic load capacity of the telescopic slides indicates the maximum load rating of a vertically mounted slide pair when the entire extension length is used. The specified load capacities refer to the maximum value for 60,000 cycles.

#### Note:

The load capacity of all telescopic slides is tested to DIN EN 15338 Level 3.

### Drawings



### Overview of items

Steel telescopic slides for side mounting, full extension, load capacity up to 136 kg

## Telescopic slides, steel for side mounting, full extension, load capacity up to 136 kg

### Overview of items

Order No.	A	A1	A2	A3	A4	B	H	L	Travel S	Loading per pair kg
K1581.0310	15	76	127	34	217,5	19	76	310	310	136
K1581.0360	15	76	178	34	268,5	19	76	360	360	136
K1581.0410	15	76	228,5	34	319,5	19	76	410	410	136
K1581.0460	15	76	279,5	34	370	19	76	460	460	136
K1581.0510	15	76	330	34	421	19	76	510	510	136
K1581.0560	15	76	381	34	471,5	19	76	560	560	136
K1581.0610	15	76	432	34	522,5	19	76	610	610	136
K1581.0660	15	76	482,5	34	573,5	19	76	660	660	136
K1581.0710	15	76	533,5	34	624	19	76	710	710	136
K1581.0760	15	76	584	34	675	19	76	760	760	136
K1581.0810	15	76	635	34	725	19	76	810	810	136
K1581.0860	15	76	686	34	776	19	76	860	860	136
K1581.0910	15	76	736	34	827	19	76	910	910	136