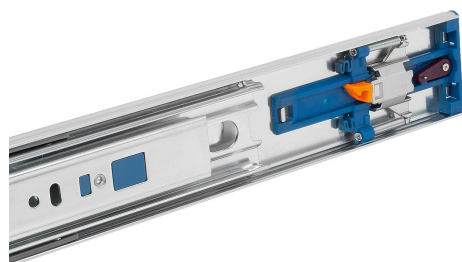
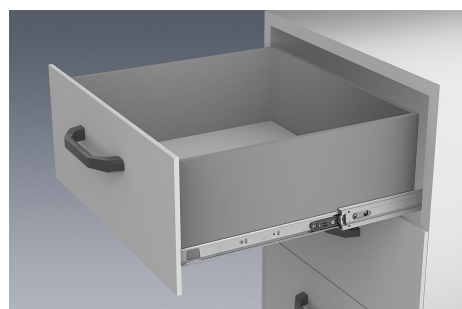


Telescopic slides, steel for surface mounting, full extension, load capacity up to 35 kg

Item description/product images



Description

Material:

Slides steel.
Ball cages steel and plastic.
Balls C-steel.

Version:

Slides electro zinc-plated and trivalent blue passivated.
Balls hardened.

Note for ordering:

Supplied in pairs

Note:

On telescopic slides with full extension, the travel is equal to the installed length, which ensures greater comfort and accessibility. Interlocking in closed position. When the release lever is actuated, the drawer can be taken out easily and separated from the guide.

When slight pressure is applied, the telescopic slides move out by themselves, almost silently.

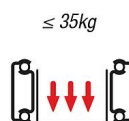
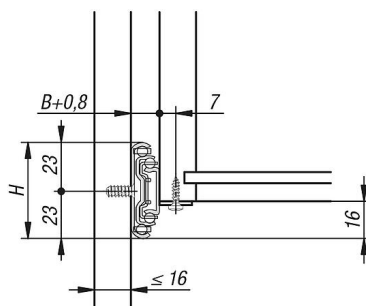
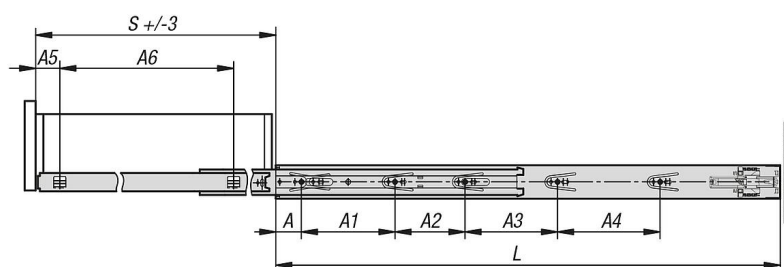
The side screw fittings on the inner rail are replaced by support brackets.

The dynamic load capacity of the telescopic slides indicates the maximum load rating of a vertically mounted slide pair when the entire extension length is used. The load capacities specified refer to the maximum value for 50,000 cycles.

Note:

The load capacity of all telescopic slides is tested to DIN EN 15338 Level 2.

Drawings



Telescopic slides, steel for surface mounting, full extension, load capacity up to 35 kg

Overview of items

Steel telescopic slides for surface mounting, full extension, load capacity up to 35 kg

Order No.	A	A1	A2	A3	A4	A5	A6	B	H	L	Travel S	Loading per pair kg
K1574.0300	35	128	-	-	-	35	192	12,7	46	300	300	35
K1574.0350	35	128	64	-	-	35	242	12,7	46	350	350	35
K1574.0400	35	128	96	-	-	35	292	12,7	46	400	400	35
K1574.0450	35	128	160	-	-	35	342	12,7	46	450	450	35
K1574.0500	35	128	96	96	-	35	392	12,7	46	500	500	35
K1574.0550	35	128	96	128	-	35	442	12,7	46	550	550	35
K1574.0600	35	128	96	128	96	35	492	12,7	46	600	600	35
K1574.0650	35	128	96	128	128	35	542	12,7	46	650	650	35
K1574.0700	35	128	96	128	192	35	592	12,7	46	700	700	35