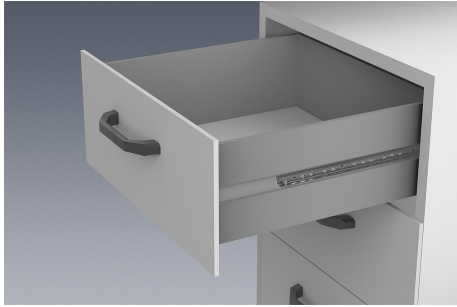


Telescopic slides, steel for slot mounting, over-extension, load capacity up to 20 kg

Item description/product images



Description

Material:

Slides steel.
Ball cages steel and plastic.
Balls C-steel.

Version:

Slides electro zinc-plated.
Balls hardened.

Note for ordering:

Supplied in pairs

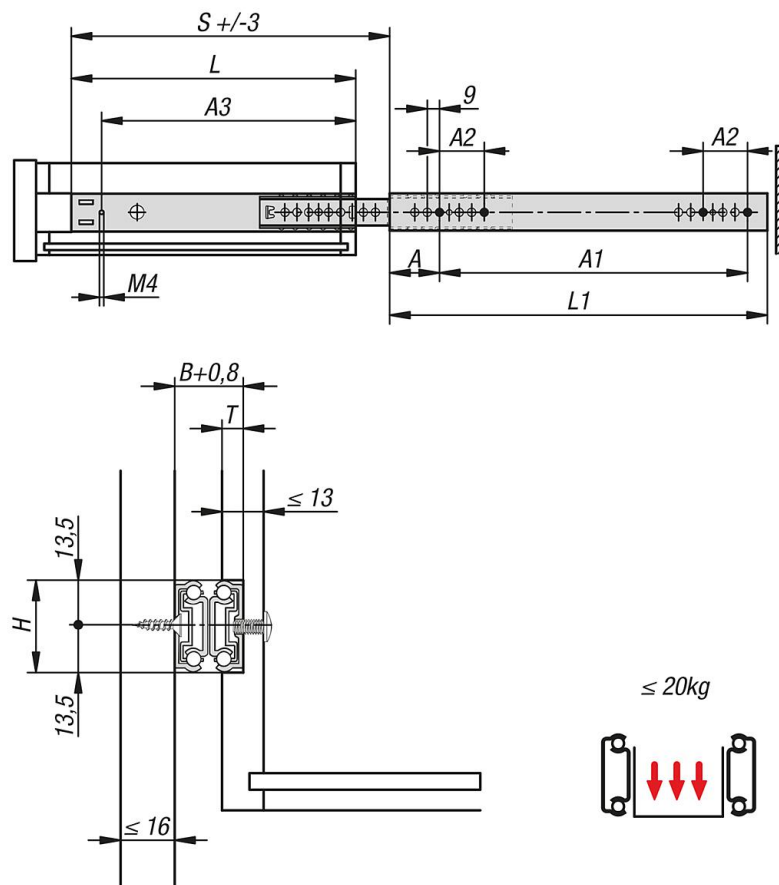
Note:

On slot-mounted telescopic slides with partial extension, the travel is shorter than the installed length. These are a low-cost solution for guiding drawers or similar items with little friction and high lateral stability. The dynamic load capacity of the telescopic slides indicates the maximum load rating of a vertically mounted slide pair when the entire extension length is used. The specified load capacities refer to the maximum value for 20,000 cycles.

Note:

The load capacity of all telescopic slides is tested to DIN EN 15338 Level 1.

Drawings



Telescopic slides, steel for slot mounting, over-extension, load capacity up to 20 kg

Overview of items

Steel telescopic slides for slot mounting, over-extension, load capacity up to 20 kg

| Order No. | A | A1 | A2 | A3 | B | H | L | L1 | Travel S | T = slot depth | Loading per pair kg | Drawer depth from - to |
|-------------------|----|-----|----|-----|------|----|-----|-----|-------------|----------------|---------------------------|---------------------------|
| K1568.0197 | 36 | 192 | 32 | 165 | 19,4 | 27 | 197 | 246 | 274 | 6-7 | 20 | 200 - 310 |
| K1568.0303 | 36 | 256 | 32 | 271 | 19,4 | 27 | 303 | 310 | 334 | 6-7 | 20 | 310 - 450 |
| K1568.0328 | 36 | 256 | 32 | 296 | 19,4 | 27 | 328 | 310 | 365 | 6-7 | 20 | 450 - 550 |