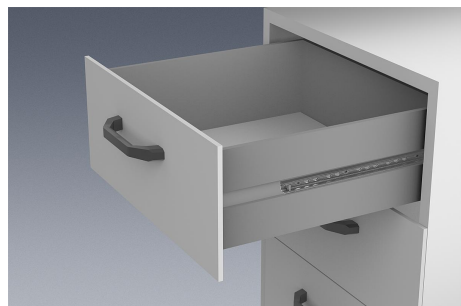


# Telescopic slides, steel for slot mounting, partial extension, load capacity up to 12 kg

Item description/product images



## Description

### Material:

Steel slides.  
Plastic ball cages.  
C-steel balls.

### Version:

Slides electro zinc-plated.  
Balls hardened.

### Note for ordering:

Supplied in pairs

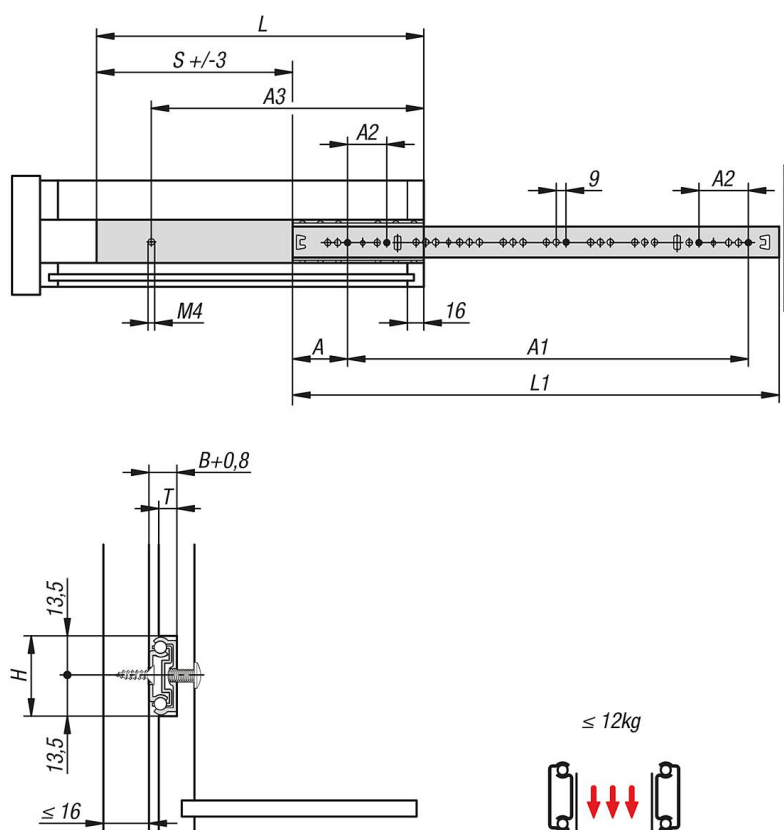
### Note:

On slot-mounted telescopic slides with partial extension, the travel is shorter than the installed length. These are a low-cost solution for guiding drawers or similar items with little friction and high lateral stability. Interlocking in closed position. The dynamic load capacity of the telescopic slides indicates the maximum load rating of a vertically mounted slide pair when the entire extension length is used. The specified load capacities refer to the maximum value for 20,000 cycles.

### Note:

The load capacity of all telescopic slides is tested to DIN EN 15338 Level 1.

## Drawings



## Telescopic slides, steel for slot mounting, partial extension, load capacity up to 12 kg

Overview of items

### Steel telescopic slides, for slot mounting, partial extension, load capacity up to 12 kg

Order No.	A	A1	A2	A3	B	H	L	L1	Travel S	T = slot depth	Loading per pair kg	Drawer depth from - to
<b>K1567.0222</b>	37	160	32	190	10	27	222	214	150	6-7	12	230 - 350
<b>K1567.0328</b>	37	288	32	296	10	27	328	342	232	6-7	12	350 - 550