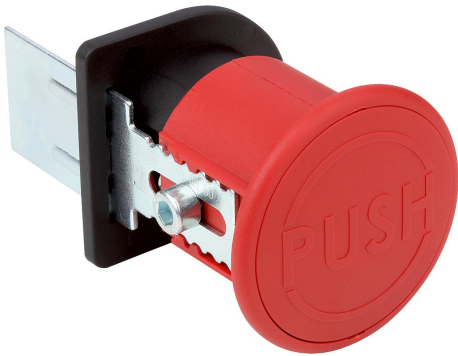


Emergency openers

Item description/product images



Description

Material:

Body plastic PA 6, fibreglass reinforced.
Push button plastic PA 6, fibreglass reinforced.
Release catch steel.

Version:

Body black.
Push button red.
Release catch electro zinc-plated.

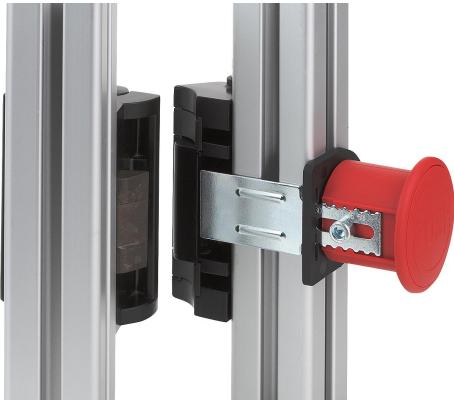
Note:

Rear-side emergency release for slam latches. Installation with two socket head screws (preferably DIN 912 M6x12), no machining required. Suitable for all slam latches.

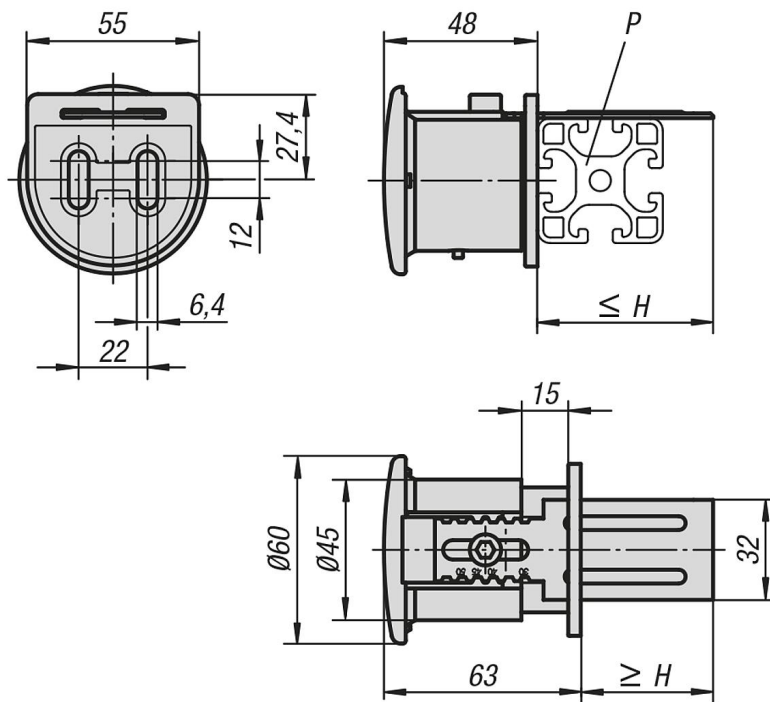


Emergency openers

Item description/product images



Drawings



Overview of items

Emergency openers

Order No.	Slot width	H min.	H max.	P
K1497.93050	8/10	30	50	30-50
K1497.96080	8/10	60	80	60-80