

Magnets shallow pot with countersink hard ferrite with stainless-steel housing

Item description/product images



Description

Material:

Housing stainless steel 1.4016.

Magnetic core hard ferrite.

Version:

Bright.

Note:

Shielded system.

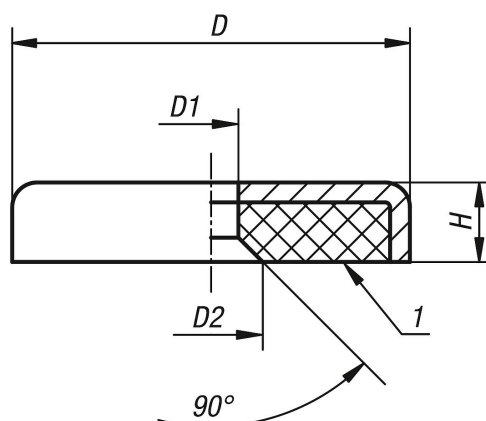
Temperature range:

max. 220°C.

Drawing reference:

1) magnetic face

Drawings



Overview of items

Magnets shallow pot with countersink, hard ferrite with stainless-steel housing

Order No.	D	D1	D2	H	Magnetic force N
K1408.120	20 ±0,15	4,2	9	6	32
K1408.125	25 ±0,15	5,5	11	7	64
K1408.132	32 ±0,2	5,5	11	7	100
K1408.140	40 ±0,2	5,5	11	8	175