

Latches with release stainless steel

Item description/product images



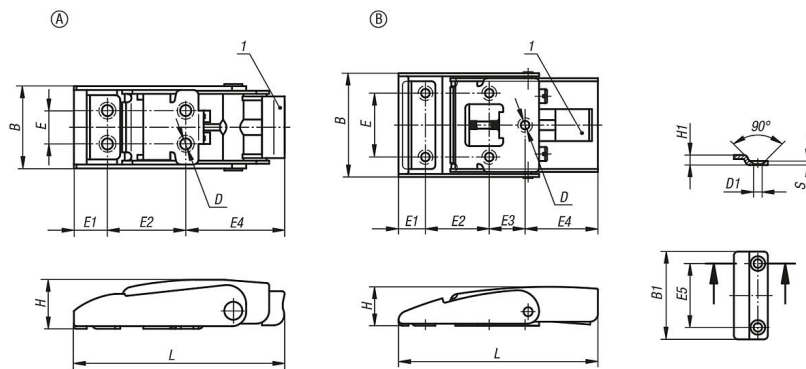
Description

Material:
Stainless steel 1.4301.

Version:
Bright.
The latch surface is satin finished.

Drawing reference:
1) Release

Drawings



Overview of items

Latches with release stainless steel

Order No.	Form	L	E	E1	E2	E3	E4	B	H	D	B1	E5	H1	D1	S
K1357.43082	A	82	13	13,5	30	-	38,5	33,6	19,5	4,3	25	13	5	4,3	2
K1357.43100	B	100	32	13,5	32	18	36,5	53	19,5	4,3	44	32	5	4,3	2