

## Latch stainless steel DIN 3133

### Item description/product images

---



### Description

**Material:**

Stainless steel 1.4301.

**Version:**

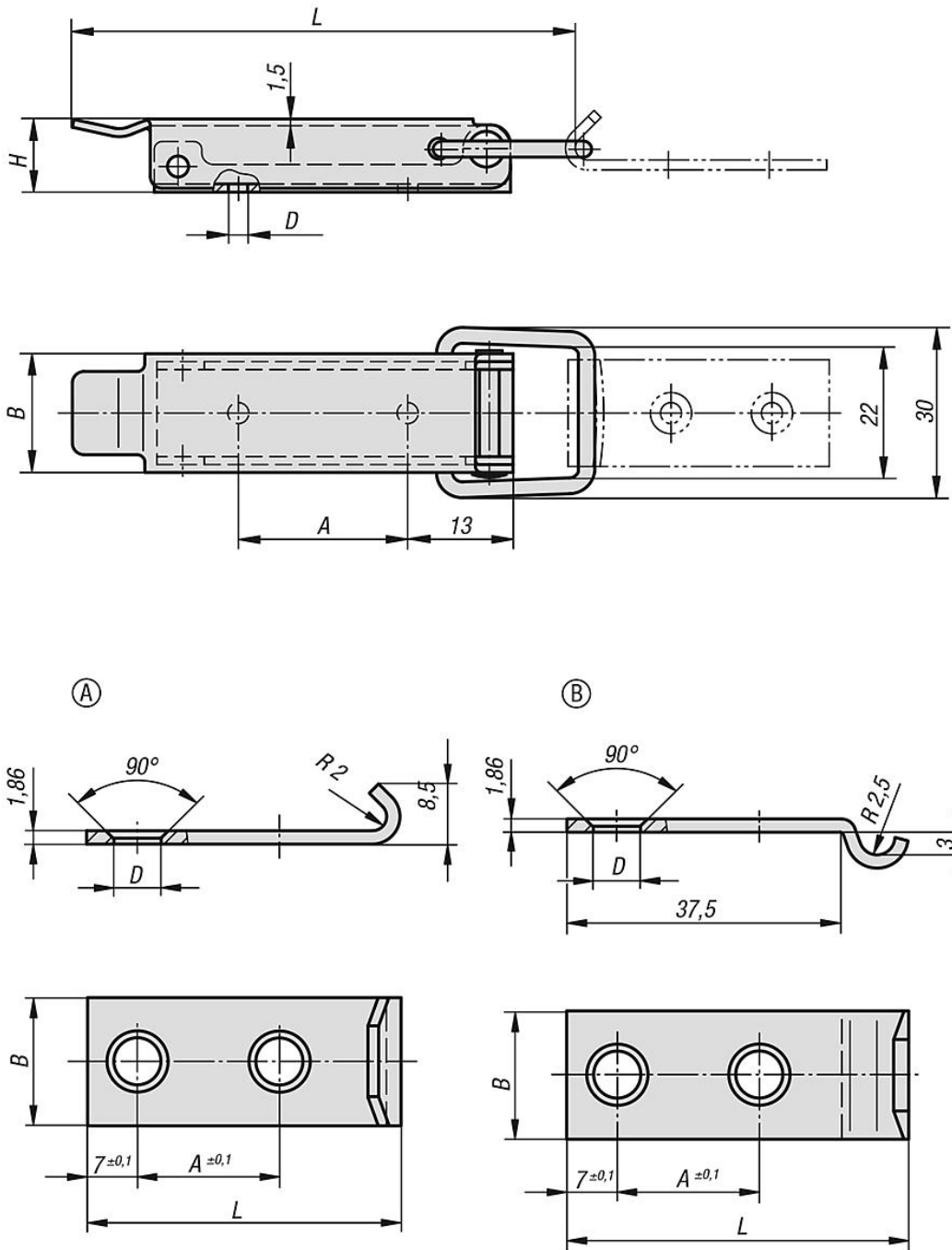
Vibratory ground.

**Note:**

For quickly locking vertical or horizontal lids and hatches.  
With security seal possibility.

Latch stainless steel DIN 3133

Drawings



Overview of items

Latch stainless steel DIN 3133

Order No.	L	B	H	A	D
K1336.350742	70	18	12	22	3,5

Catch plates

**Latch stainless steel DIN 3133****Overview of items**

Order No.	Form	L	B	A	D
K1336.91460442	A	44	18	20	4,8
K1336.92460482	B	48	18	20	4,8