

Hexagon nuts with polyamide thread lock high type, DIN 982 / stainless steel similar to DIN 982

Item description/product images



Description

Material:

Steel or stainless steel (A 2)

Version:

Electro zinc-plated steel.

Bright stainless steel.

Note:

When screwing the nuts onto the thread, the thread lock is plastically and elastically deformed. The elastic deformation causes a radial frictional lock against the nuts being loosened.

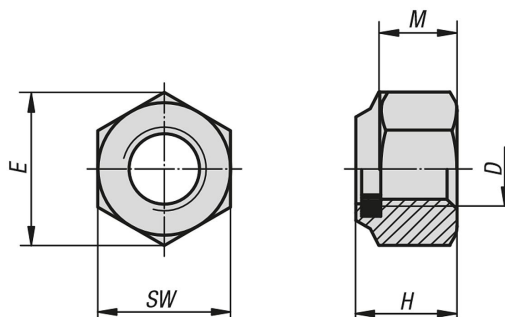
The plastic thread lock is only effective when the nuts are fully screwed onto the male thread. The screw length must be selected so that at least two full threads protrude from the nut.

Due to the plastic deformation of the thread lock, these nuts should only be used once.

Temperature range:

-50°C to +120°C.

Drawings



Overview of items

Hexagon nuts with polyamide thread lock, high type, DIN 982 / stainless steel similar to DIN 982

Order No.	Main material	DIN	Grade	D	E	H	M	SW
K1147.204	steel	DIN 982	6-8	M4	7,66	6	2,9	7
K1147.205	steel	DIN 982	8	M5	8,79	6,3	4,4	8
K1147.206	steel	DIN 982	8	M6	11,05	8	4,9	10
K1147.208	steel	DIN 982	8	M8	14,38	9,5	6,44	13
K1147.210	steel	DIN 982	8	M10	18,9	11,5	8,04	17
K1147.212	steel	DIN 982	8	M12	21,1	14	10,37	19
K1147.214	steel	DIN 982	8	M14	23,9	16	12,1	22
K1147.216	steel	DIN 982	8	M16	26,76	18	14,1	24
K1147.220	steel	DIN 982	8	M20	32,95	22	16,9	30
K1147.224	steel	DIN 982	8	M24	39,55	28	20,2	36
K1147.310	steel	DIN 982	10	M10	18,9	11,5	8,04	17
K1147.312	steel	DIN 982	10	M12	21,1	14	10,37	19

Hexagon nuts with polyamide thread lock high type, DIN 982 / stainless steel similar to DIN 982

Overview of items

Order No.	Main material	DIN	Grade	D	E	H	M	SW
K1147.316	steel	DIN 982	10	M16	26,76	18	14,1	24
K1147.320	steel	DIN 982	10	M20	32,95	22	16,9	30
K1147.324	steel	DIN 982	10	M24	39,55	28	20,2	36
K1147.105	stainless steel	similar to DIN 982	-	M5	8,79	6,3	4,4	8
K1147.106	stainless steel	similar to DIN 982	-	M6	11,05	8	4,9	10
K1147.108	stainless steel	similar to DIN 982	-	M8	14,38	9,5	6,44	13
K1147.110	stainless steel	similar to DIN 982	-	M10	18,9	11,5	8,04	17
K1147.112	stainless steel	similar to DIN 982	-	M12	21,1	14	10,37	19
K1147.116	stainless steel	similar to DIN 982	-	M16	26,76	18	14,1	24
K1147.120	stainless steel	similar to DIN 982	-	M20	32,95	22	16,9	30