

Crank handles aluminium with safety grip

Item description/product images



Description

Material:

Crank aluminium.
Cylinder grip thermoplastic and steel.

Version:

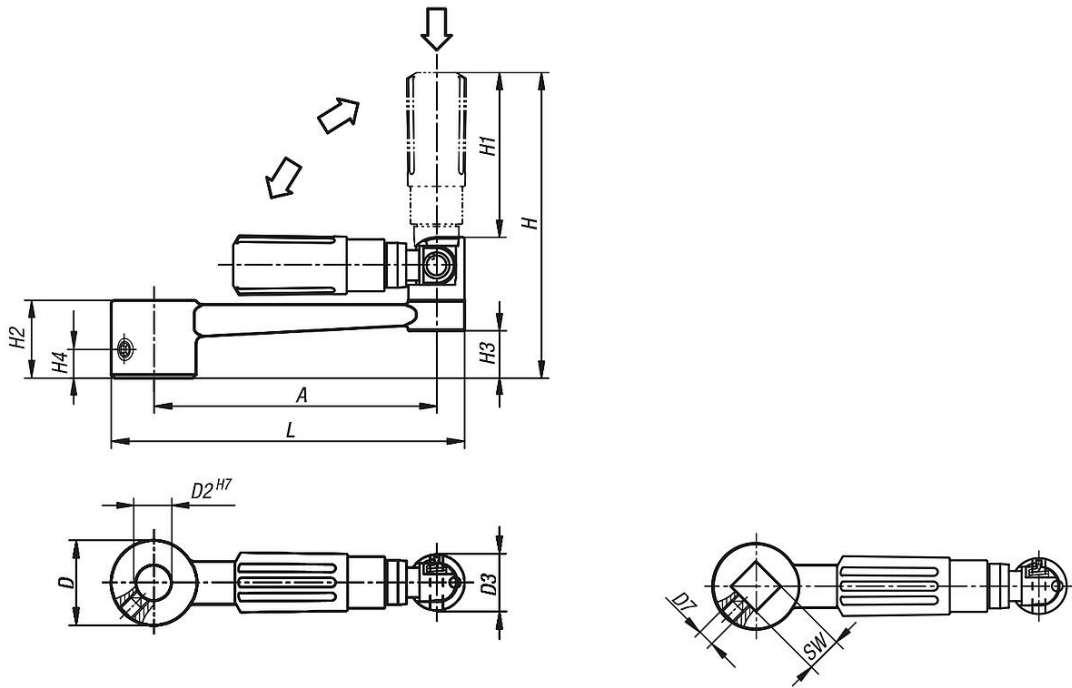
Crank black powder-coated.
Thermoplastic black grey.
Steel parts black oxidised.

Note:

Similar to DIN 469.
Versions with transverse bore are secured using the ISO 4027 (DIN 914) grub screw.

Crank handles aluminium with safety grip

Drawings



Overview of items

Crank handle aluminium with safety cylinder grip

Order No.	Version 1	Version 2	A	D	D2	D3	D7	H	H1	H2	H3	H4	L	SW
K0998.1110	reamed hole	without transverse hole	80	24	10	16	-	87,5	47,5	22	13,6	-	100	-
K0998.1212	reamed hole	without transverse hole	100	28	12	20	-	107	58,5	25	16	-	124	-
K0998.1314	reamed hole	without transverse hole	125	30	14	25	-	139	82	28	15,8	-	153	-
K0998.1417	reamed hole	without transverse hole	160	34	17	25	-	143	82	32	19,6	-	190	-
K0998.11106	reamed hole	with transverse bore	80	24	10	16	M6	87,5	47,5	22	13,4	7,5	100	-
K0998.12126	reamed hole	with transverse bore	100	28	12	20	M6	106,9	58,4	26	16	7,5	124	-
K0998.13146	reamed hole	with transverse bore	125	30	14	26	M6	139,1	82,1	28	15,8	7,5	153	-
K0998.14176	reamed hole	with transverse bore	160	34	17	26	M6	143,1	82,1	32	19,6	7,5	190	-
K0998.2110	square socket	without transverse hole	80	24	-	16	-	87,5	47,5	22	13,6	-	100	10
K0998.2212	square socket	without transverse hole	100	28	-	20	-	107	58,5	25	16	-	124	12
K0998.2314	square socket	without transverse hole	125	30	-	25	-	139	82	28	15,8	-	153	14
K0998.2417	square socket	without transverse hole	160	34	-	25	-	143	82	32	19,6	-	190	17
K0998.21106	square socket	with transverse bore	80	24	-	16	M6	87,5	47,5	22	13,4	7,5	100	10
K0998.22126	square socket	with transverse bore	100	28	-	20	M6	106,9	58,4	26	16	7,5	124	12
K0998.23146	square socket	with transverse bore	125	30	-	26	M6	139,1	82,1	28	15,8	7,5	153	14
K0998.24176	square socket	with transverse bore	160	34	-	26	M6	143,1	82,1	32	19,6	7,5	190	17