

Workholding cubes, grey cast iron with pre-machined clamping faces

Item description/product images



Description

Material:

GJL 300.

Version:

Support and clamping faces are precision-machined.

The clamping faces have a +0.5 mm allowance.

Note:

Workholding cubes with pre-machined clamping faces provide a quick and economic way of producing base elements with specific grid or individual holes. The foot is ready for mounting on the machine table. The four clamping faces can be machined to the end dimensions by the user. The workholding cubes conform to machine tables for machine tools acc. to DIN 55201 and JIS 6337-1980.

Please order locating pins for positioning subplates on machine tables acc. to DIN 55201 separately.

Ring bolts for hoisting are supplied.

Other dimensions available on request.

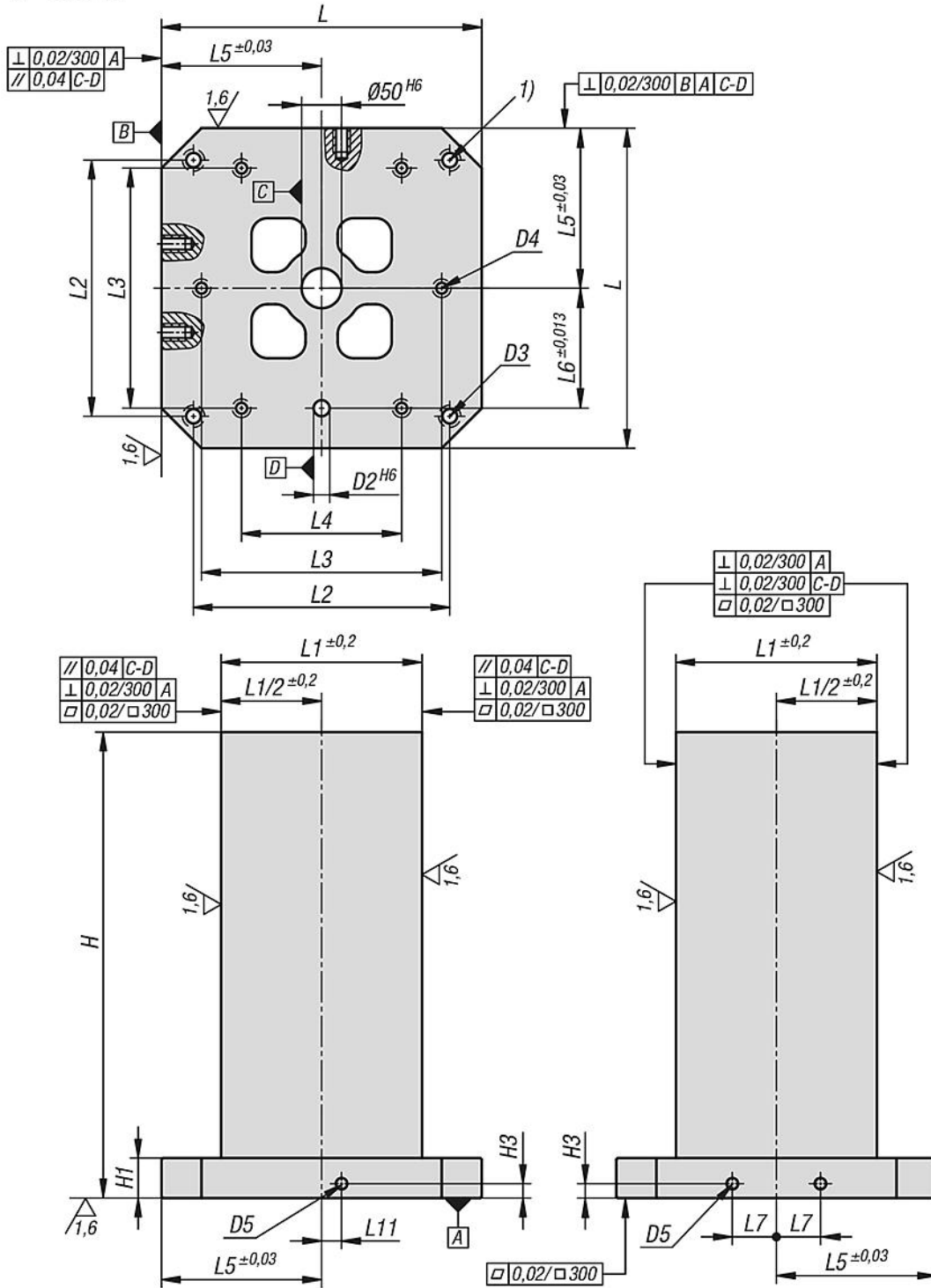
Drawing reference:

1) hole for DIN 912 cap screw (D3/D4)

Workholding cubes, grey cast iron with pre-machined clamping faces

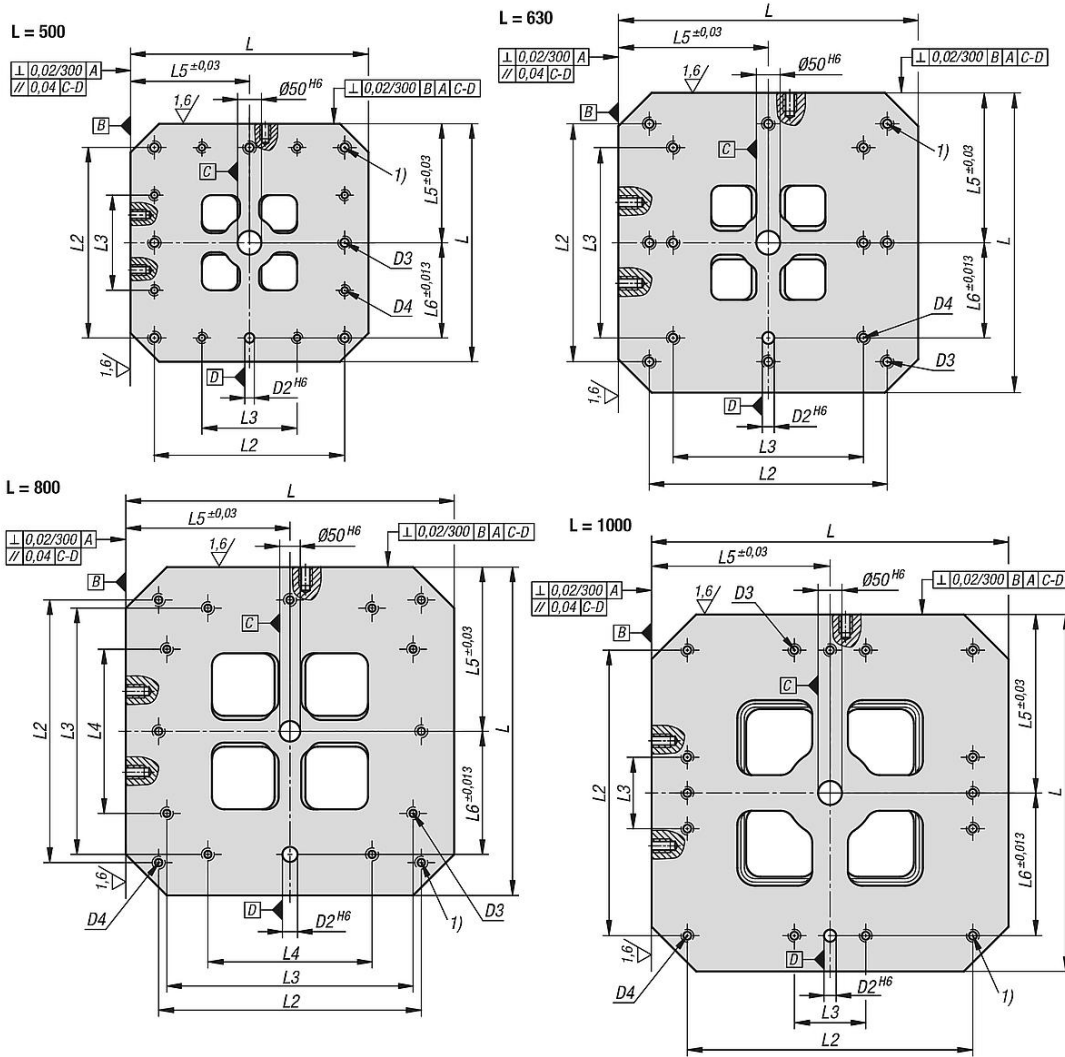
Drawings

L = 300/400



Workholding cubes, grey cast iron with pre-machined clamping faces

Drawings



Overview of items

Workholding cubes, grey cast iron with pre-machined clamping faces

Order No.	L	H	H1	D2	D3	D4	D5	H3	L1	L2	L3	L4	L5	L6	L7	L11
K0805.100030050	300	500	50	20	M12	M10	M12	15	151	250	200	-	150	100	40	0
K0805.100040050	400	500	50	20	M16	M12	M16	18	251	320	300	200	200	150	55	25
K0805.100040065	400	650	50	20	M16	M12	M16	18	251	320	300	200	200	150	55	25
K0805.100050060	500	600	50	20	M16	M12	M16	18	301	400	200	-	250	200	75	25
K0805.100050075	500	750	50	20	M16	M12	M16	18	301	400	200	-	250	200	75	25
K0805.100063070	630	700	50	25	M16	M16	M16	18	351	500	400	-	315	200	100	25
K0805.100063085	630	850	50	25	M16	M16	M16	18	351	500	400	-	315	200	100	25
K0805.100080080	800	800	50	25	M16	M16	M16	18	501	640	600	400	400	300	135	25
K0805.100080100	800	1000	50	25	M16	M16	M16	18	501	640	600	400	400	300	135	25
K0805.100100100	1000	1000	55	25	M20	M20	M16	18	601	800	200	-	500	400	165	25
K0805.100100125	1000	1250	55	25	M20	M20	M16	18	601	800	200	-	500	400	165	25

