

Clamping levers steel internal thread

Item description/product images



lift to
disengage



Description

Material:

Handle steel 1.0401.
All other steel parts grade 5.8.

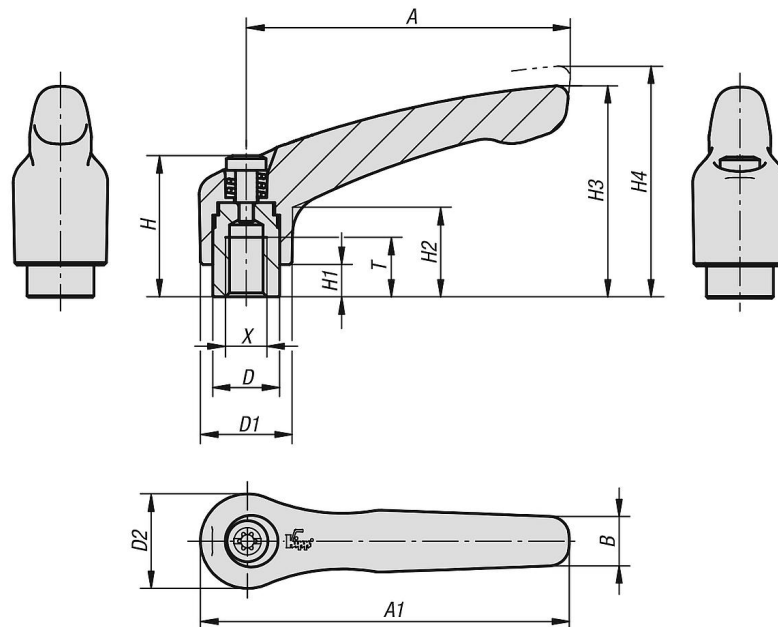
Version:

Handle powder-coated, fine-textured structure.
Steel parts black oxidised.

Note:

Standard colours are:
black or ruby red RAL 3003.

Drawings



Overview of items

Clamping levers steel internal thread

Overview of items

Clamping levers with internal thread

| Order No. | Main colour | Size | X | T | D | D1 | D2 | H | H1 | H2 | H3 | H4 | A | A1 | B | No. of teeth |
|-------------|-------------|------|-----|----|------|------|------|------|-----|------|------|------|-----|------|----|--------------|
| K0752.1041 | black | 1 | M4 | 9 | 10 | 13 | 14 | 24,5 | 4 | 14,5 | 31 | 34 | 40 | 47 | 7 | 16 |
| K0752.1051 | black | 1 | M5 | 9 | 10 | 13 | 14 | 24,5 | 4 | 14,5 | 31 | 34 | 40 | 47 | 7 | 16 |
| K0752.1061 | black | 1 | M6 | 9 | 10 | 13 | 14 | 24,5 | 4 | 14,5 | 31 | 34 | 40 | 47 | 7 | 16 |
| K0752.2061 | black | 2 | M6 | 12 | 13,5 | 18,5 | 19 | 28,5 | 6,5 | 17,5 | 42,5 | 45,5 | 65 | 74,5 | 10 | 20 |
| K0752.2081 | black | 2 | M8 | 12 | 13,5 | 18,5 | 19 | 28,5 | 6,5 | 17,5 | 42,5 | 45,5 | 65 | 74,5 | 10 | 20 |
| K0752.3081 | black | 3 | M8 | 14 | 16 | 21 | 22 | 37 | 10 | 24 | 54,5 | 58,5 | 80 | 91 | 11 | 22 |
| K0752.3101 | black | 3 | M10 | 14 | 16 | 21 | 22 | 37 | 10 | 24 | 54,5 | 58,5 | 80 | 91 | 11 | 22 |
| K0752.4101 | black | 4 | M10 | 17 | 19 | 27 | 27,5 | 43 | 10 | 27 | 63 | 67,5 | 95 | 109 | 13 | 24 |
| K0752.4121 | black | 4 | M12 | 17 | 19 | 27 | 27,5 | 43 | 10 | 27 | 63 | 67,5 | 95 | 109 | 13 | 24 |
| K0752.5121 | black | 5 | M12 | 23 | 23 | 31 | 32 | 49 | 12 | 31,5 | 73 | 77,5 | 110 | 126 | 15 | 26 |
| K0752.5161 | black | 5 | M16 | 23 | 23 | 31 | 32 | 49 | 12 | 31,5 | 73 | 77,5 | 110 | 126 | 15 | 26 |
| K0752.10427 | ruby red | 1 | M4 | 9 | 10 | 13 | 14 | 24,5 | 4 | 14,5 | 31 | 34 | 40 | 47 | 7 | 16 |
| K0752.10527 | ruby red | 1 | M5 | 9 | 10 | 13 | 14 | 24,5 | 4 | 14,5 | 31 | 34 | 40 | 47 | 7 | 16 |
| K0752.10627 | ruby red | 1 | M6 | 9 | 10 | 13 | 14 | 24,5 | 4 | 14,5 | 31 | 34 | 40 | 47 | 7 | 16 |
| K0752.20627 | ruby red | 2 | M6 | 12 | 13,5 | 18,5 | 19 | 28,5 | 6,5 | 17,5 | 42,5 | 45,5 | 65 | 74,5 | 10 | 20 |
| K0752.20827 | ruby red | 2 | M8 | 12 | 13,5 | 18,5 | 19 | 28,5 | 6,5 | 17,5 | 42,5 | 45,5 | 65 | 74,5 | 10 | 20 |
| K0752.30827 | ruby red | 3 | M8 | 14 | 16 | 21 | 22 | 37 | 10 | 24 | 54,5 | 58,5 | 80 | 91 | 11 | 22 |
| K0752.31027 | ruby red | 3 | M10 | 14 | 16 | 21 | 22 | 37 | 10 | 24 | 54,5 | 58,5 | 80 | 91 | 11 | 22 |
| K0752.41027 | ruby red | 4 | M10 | 17 | 19 | 27 | 27,5 | 43 | 10 | 27 | 63 | 67,5 | 95 | 109 | 13 | 24 |
| K0752.41227 | ruby red | 4 | M12 | 17 | 19 | 27 | 27,5 | 43 | 10 | 27 | 63 | 67,5 | 95 | 109 | 13 | 24 |
| K0752.51227 | ruby red | 5 | M12 | 23 | 23 | 31 | 32 | 49 | 12 | 31,5 | 73 | 77,5 | 110 | 126 | 15 | 26 |
| K0752.51627 | ruby red | 5 | M16 | 23 | 23 | 31 | 32 | 49 | 12 | 31,5 | 73 | 77,5 | 110 | 126 | 15 | 26 |

Information about this article

Description of clamping lever with internal thread: The adjustable grip is made from unalloyed C15 steel (grade 5.8). The highly robust steel grips easily stand up to higher forces during opening and closing. The handy grip on the clamping lever is matt powder-coated and available as standard in red or black. The matt coating ensures effective light absorption without glare. The following clamping lever thread sizes are available ex stock and can be conveniently ordered online: - M5- M6- M8- M10- M12- M16 Clamping levers with external thread are easy to install. Simply screw them into a part that has a corresponding internal thread. Lifting the handle unlocks it from the toothing, allowing it to be moved into the desired tightening position. The handle will automatically lock back into place when released. Using clamping levers with external thread: Clamping levers are predominantly used as an operating part in industrial applications such as machines or industrial plants. However, they can also be found in all other areas where a clamping operation is required i.e. entertainment and lighting technology, logistics systems, and sporting equipment.