

Clamping levers flat internal thread, steel parts stainless steel

Item description/product images



lift to
disengage



Description

Material:

Handle die-cast zinc DIN EN 12844.
Steel parts stainless steel 1.4305.

Version:

Handle powder-coated.
Stainless steel parts bright.

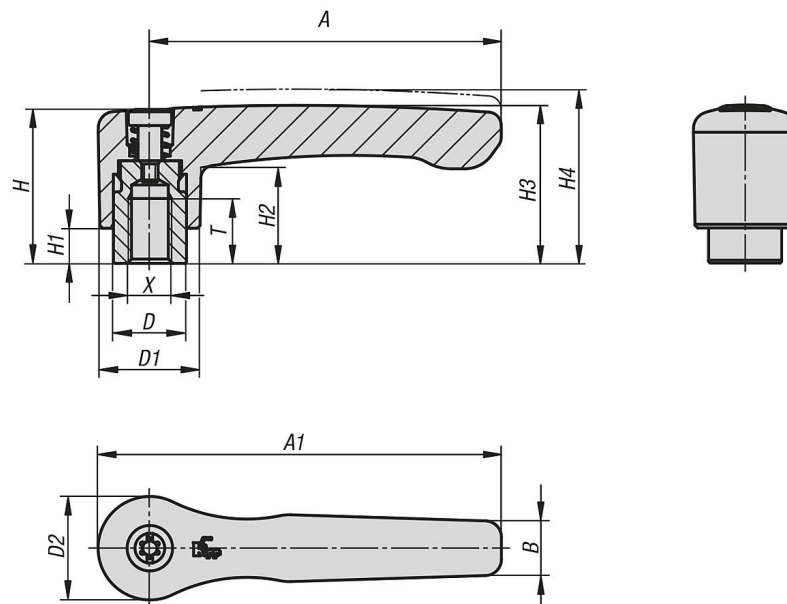
Note:

Standard colours are:
black satin finish, orange RAL 2004.

On request:

Other threads, colours and special versions.
Dimension "H1" available in other lengths at extra charge.

Drawings



Overview of items

Clamping levers flat with internal thread, stainless steel

Clamping levers flat internal thread, steel parts stainless steel

Overview of items

Order No.	Main colour	Size	X	T	D	D1	D2	H	H1	H2	H3	H4	A	A1	B	No. of teeth
K0738.2061	black	2	M6	12	13,5	18,5	19,1	28,5	6,5	17,8	29,2	32,2	65	74,5	10,1	20
K0738.2062	orange RAL 2004	2	M6	12	13,5	18,5	19,1	28,5	6,5	17,8	29,2	32,2	65	74,5	10,1	20
K0738.2081	black	2	M8	12	13,5	18,5	19,1	28,5	6,5	17,8	29,2	32,2	65	74,5	10,1	20
K0738.2082	orange RAL 2004	2	M8	12	13,5	18,5	19,1	28,5	6,5	17,8	29,2	32,2	65	74,5	10,1	20
K0738.3081	black	3	M8	14	16	21,2	22	37	10	23,8	38	42	80	91	11,7	22
K0738.3082	orange RAL 2004	3	M8	14	16	21,2	22	37	10	23,8	38	42	80	91	11,7	22
K0738.3101	black	3	M10	14	16	21,2	22	37	10	23,8	38	42	80	91	11,7	22
K0738.3102	orange RAL 2004	3	M10	14	16	21,2	22	37	10	23,8	38	42	80	91	11,7	22