

## Clamping levers 2K internal thread, metal parts stainless steel

### Item description/product images



lift to  
disengage



### Description

**Material:**

Handle:

Hard component in glass-fibre-reinforced plastic with toothed wheel in die cast zinc.  
Soft component: Thermoflex based on SEBS.

Steel parts:

Stainless steel, 1.4305.

**Version:**

Steel parts bright.

**Note:**

The hard and soft components are supplied in black grey RAL 7021 as standard.

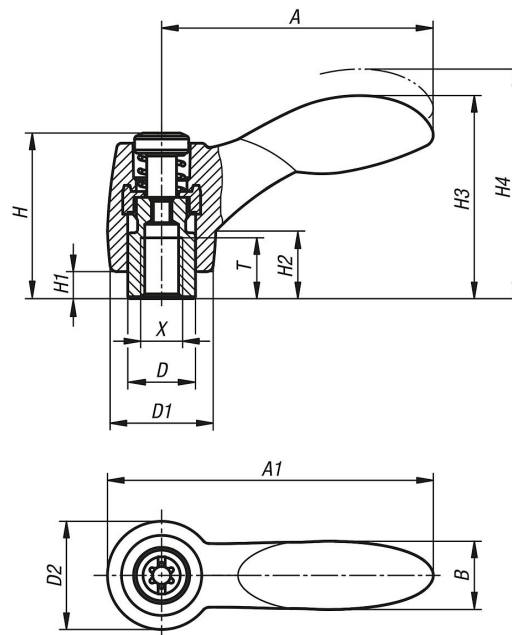
**On request:**

Other internal threads, colour combinations and special versions.

Dimension "H1" available in other lengths on request at extra charge.

# Clamping levers 2K internal thread, metal parts stainless steel

## Drawings



## Overview of items

Order No.	X	T	D	D1	D2	H	H1	H2	H3	H4	A	A1	B	No. of teeth
K0126.10401	M4	9	10	15	16	24,5	4	10	30	33,5	40,1	48,1	10,1	16
K0126.10501	M5	9	10	15	16	24,5	4	10	30	33,5	40,1	48,1	10,1	16
K0126.10601	M6	9	10	15	16	24,5	4	10	30	33,5	40,1	48,1	10,1	16
K0126.20601	M6	12	13,5	17,5	19	28,5	6,5	12,5	41,2	45,2	64,9	74,4	17,6	20
K0126.20801	M8	12	13,5	17,5	19	28,5	6,5	12,5	41,2	45,2	64,9	74,4	17,6	20
K0126.30801	M8	14	16	21	22	37	10	17	51,6	56,1	80,2	91,2	20,7	22
K0126.31001	M10	14	16	21	22	37	10	17	51,6	56,1	80,2	91,2	20,7	22