

Clamping levers 2K internal thread

Item description/product images



lift to
disengage



Description

Material:

Handle:

Hard component fibreglass reinforced plastic with die-cast zinc toothed ring.
Soft component Thermoflex based on SEBS.

Steel parts: grade 5.8.

Version:

Steel parts black oxidised.

Note:

The hard and soft components are supplied in black grey RAL 7021 as standard.

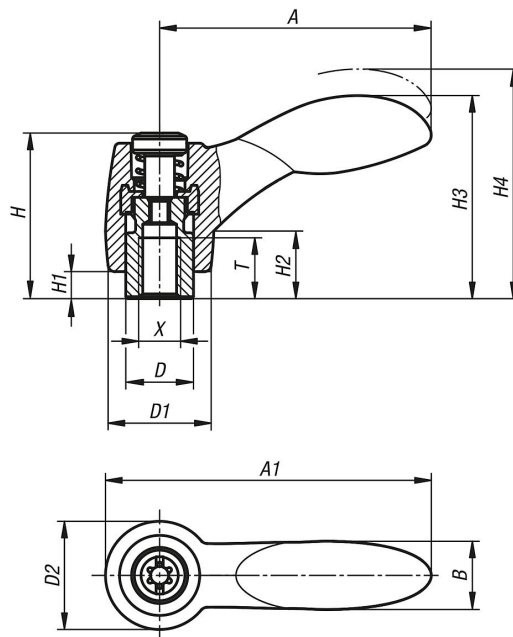
On request:

Other internal threads, colour combinations and special versions.

Dimension "H1" available in other lengths on request at extra charge.

Clamping levers 2K internal thread

Drawings



Overview of items

Order No.	X	T	D	D1	D2	H	H1	H2	H3	H4	A	A1	B	No. of teeth
K0125.10401	M4	9	10	15	16	24,5	4	10	30	33,5	40,1	48,1	10,1	16
K0125.10501	M5	9	10	15	16	24,5	4	10	30	33,5	40,1	48,1	10,1	16
K0125.10601	M6	9	10	15	16	24,5	4	10	30	33,5	40,1	48,1	10,1	16
K0125.20601	M6	12	13,5	17,5	19	28,5	6,5	12,5	41,2	45,2	64,9	74,4	17,6	20
K0125.20801	M8	12	13,5	17,5	19	28,5	6,5	12,5	41,2	45,2	64,9	74,4	17,6	20
K0125.30801	M8	14	16	21	22	37	10	17	51,6	56,1	80,2	91,2	20,7	22
K0125.31001	M10	14	16	21	22	37	10	17	51,6	56,1	80,2	91,2	20,7	22