

## Latches adjustable fastening holes accessible

### Item description/product images



### Description

**Material:**

Steel or stainless steel 1.4301.

**Version:**

Steel trivalent blue passivated.

Stainless steel bright.

**Note:**

Adjustable latches are secure locking systems for industrial applications. By exceeding the dead center they resist vibration. These latches are very robust and have a low overall height.

After the hook is engaged with the catch plate, the parts to be locked can be drawn together by up to 6 mm by pushing the lever down. To compensate for tolerances or to create enough tension, the hook length can be adjusted using the M6 threaded spindle.

The latches can be screwed down or riveted.

Order required catch plate separately.

The retaining force F1 applies to the latch, not the catch plate.

**Drawing reference:**

Form A standard

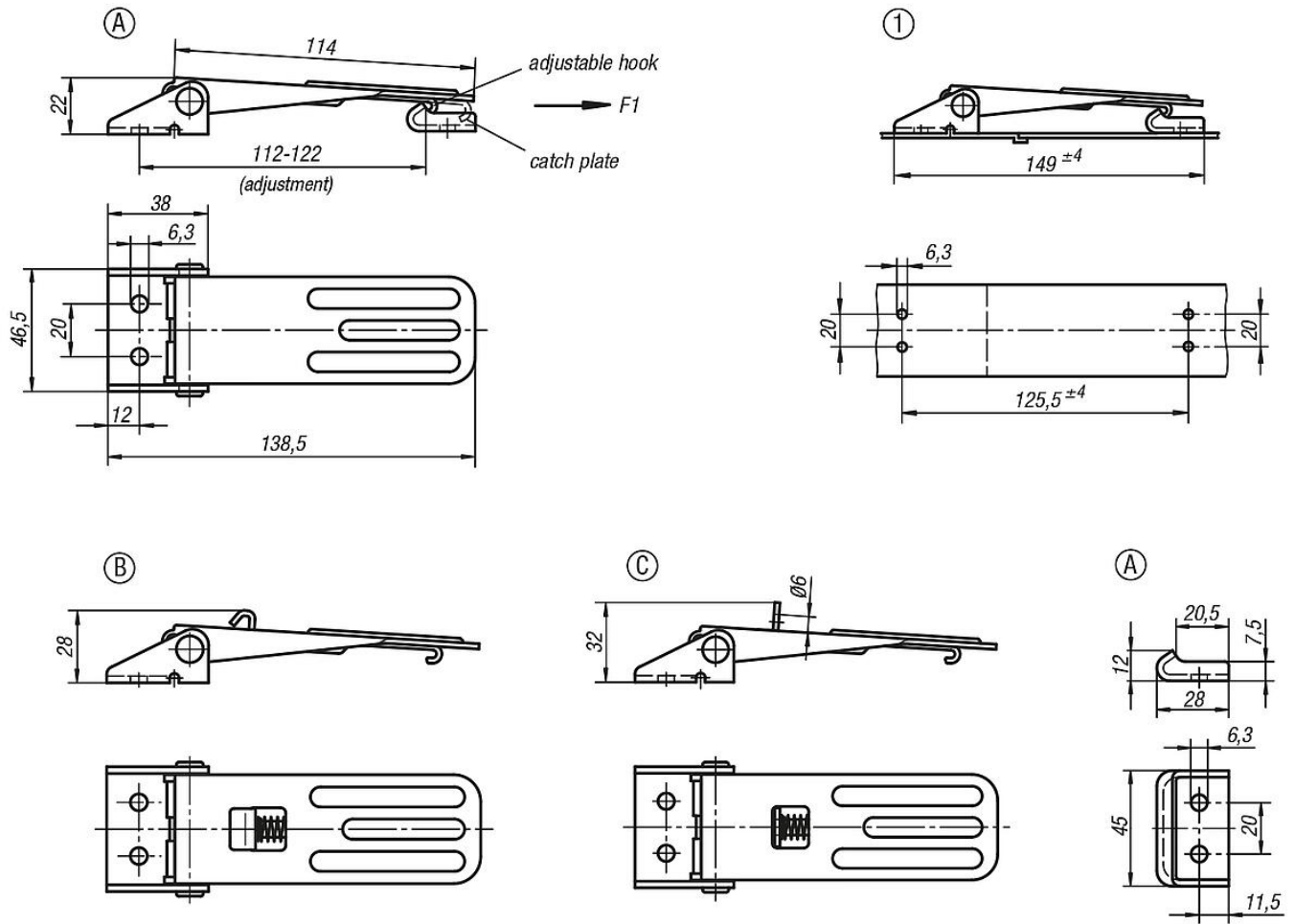
Form B with lock

Form C with padlock hole

1) Hole arrangement for assembly with catch plate

# Latches adjustable fastening holes accessible

## Drawings



## Overview of items

### Latches adjustable, fastening holes accessible

Order No.	Main material	Form	Retaining force F1 N
K0048.1631391	steel	A	4000
K0048.1631392	stainless steel	A	4000
K0048.2631391	steel	B	4000
K0048.2631392	stainless steel	B	4000
K0048.3631391	steel	C	4000
K0048.3631392	stainless steel	C	4000
K0048.9163281	steel	A	-
K0048.9163282	stainless steel	A	-