

"Actima" clamping devices with through hole

Item description/product images



Description

Material, version:

Steel black oxidised.

Housing black thermoplastic.

Ball knob red thermoset PF 31.

Note:

The travel path is 10 mm. Self-locking occurs in any position within only 2 mm of clamp travel, so workpieces with tolerances of up to 1.5 mm can be safely clamped.

The Actima clamping device can be mounted in any horizontal or vertical position.

Standard parts enable further applications and are available as optional accessories.

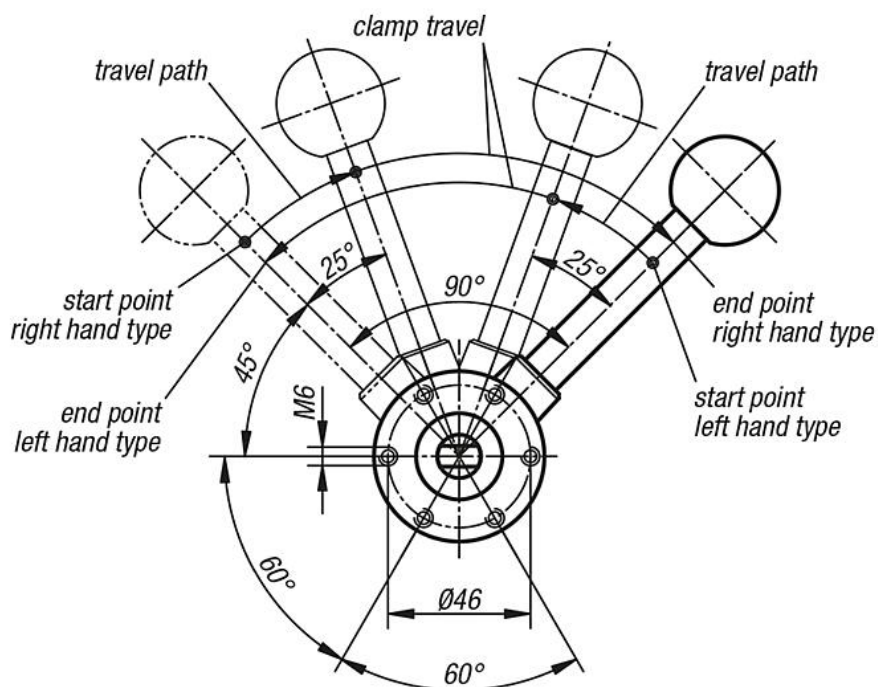
All parts of the cam system subject to heavy loads are case-hardened (thrust sleeve and accessories only if specified).

The maximum permissible clamping force is approximately 4905 N.

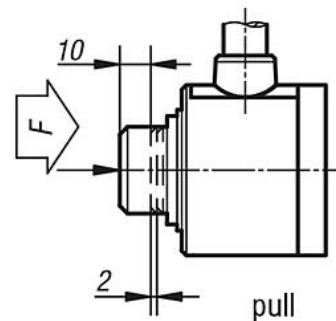
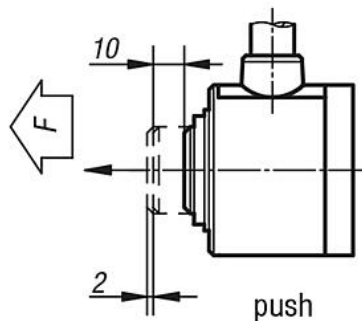
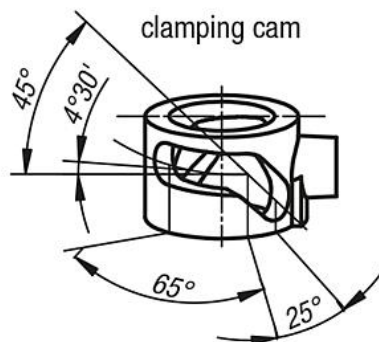
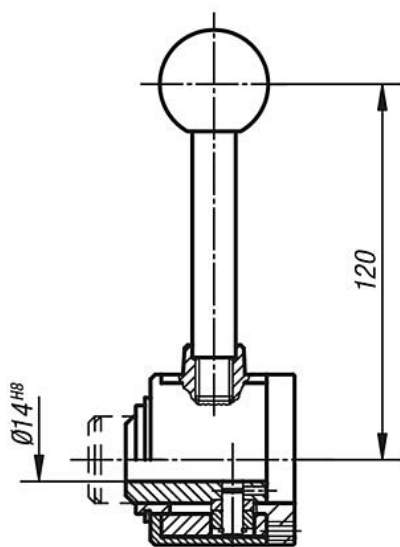
"Actima" clamping devices with through hole

Drawings

View from below



drilled through



Overview of items

Order No.	Version 2
K0020.30	right-hand / thrust
K0020.35	right-hand / pull

"Actima" clamping devices with through hole**Overview of items**

Order No.	Version 2
K0020.40	left-hand / thrust
K0020.45	left-hand / pull