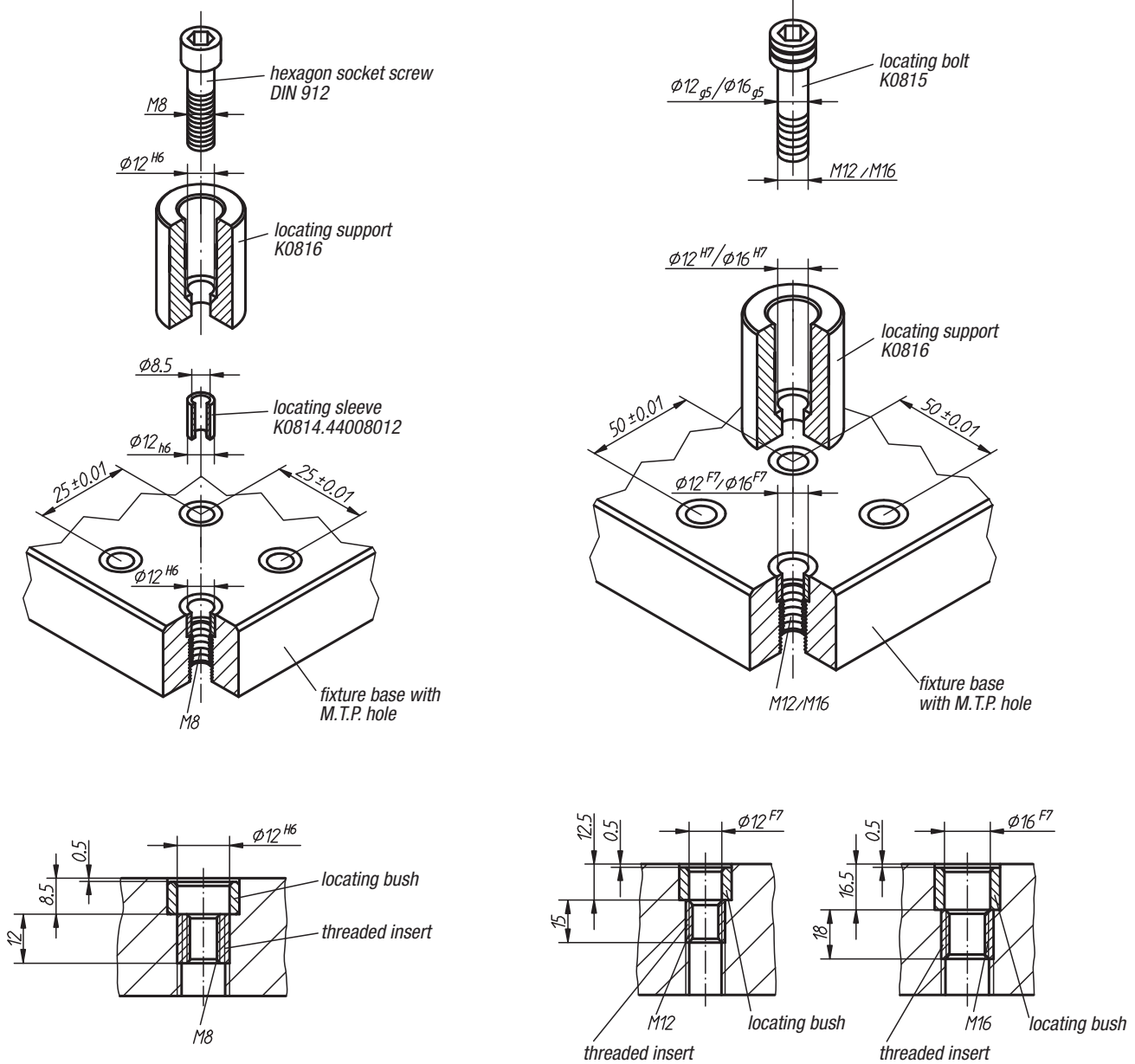


# M.T.P Holes and Pitches



## M.T.P. hole:

The characteristic feature of the M.T.P. hole is its dual function: the coaxial arrangement of the locating and the threaded parts allows positioning and fastening at the same time with one M.T.P. hole (see illustrations). As a result, the size of the fixture elements can be reduced to a minimum and their flexibility increased accordingly.

Each M.T.P. hole consists of two parts:

- bush with locating hole. Material: Tool steel, hardened.
- threaded insert. Material: Tempered steel, heat-treated, tensile strength approx. 1100-1300 N/mm<sup>2</sup>.

Since the bushes with locating holes are recessed 0,5 mm from the surface of the fixture bases, the mounting surfaces can be reworked if necessary in the event of wear.