

Wing grips "Miniwing" biopolymer

Item description/product images



Description

Material:

Biopolymer wood fibre reinforced, natural beech.
Biopolymer fibreglass reinforced, black grey.
Bush or screw stainless steel 1.4305.

Version:

Natural beech with wood fibre optic or coloured black grey.
Bush and threaded pin bright stainless steel.

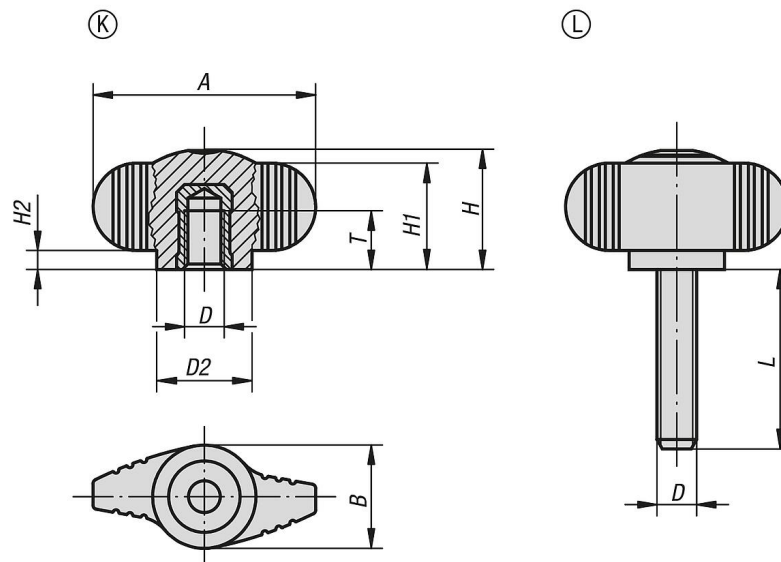
Note:

Good mechanical strength (tested to a minimum of 2x safety factor).
Good chemical resistance.
Suitable for outdoor use (weather resistant).

Advantages:

This biopolymer is manufactured entirely from renewable raw materials (oil free).
Good CO₂ impact compared to petroleum-based plastics.
Conservation of finite fossil resources.
The wood fibres originate 100% from local, sustainably managed forests in Germany.
Biopolymer is suitable for recycling (comparable to thermoplastics).

Drawings



Overview of items

Order No.	Form	Main colour	A	B	D	D2	H	H1	H2	L	T
K0274.100004143	K	natural beech	28	13	M4	12	15	13,3	2,3	-	6
K0274.100005143	K	natural beech	28	13	M5	12	15	13,3	2,3	-	8
K0274.100006143	K	natural beech	28	13	M6	12	15	13,3	2,3	-	8
K0274.10000490	K	black grey RAL 7021	28	13	M4	12	15	13,3	2,3	-	6
K0274.10000590	K	black grey RAL 7021	28	13	M5	12	15	13,3	2,3	-	8
K0274.10000690	K	black grey RAL 7021	28	13	M6	12	15	13,3	2,3	-	8
K0274.100004143X8	L	natural beech	28	13	M4	12	15	13,3	2,3	8	-

Wing grips "Miniwing" biopolymer

Overview of items

Order No.	Form	Main colour	A	B	D	D2	H	H1	H2	L	T
K0274.100005143X15	L	natural beech	28	13	M5	12	15	13,3	2,3	15	-
K0274.100006143X15	L	natural beech	28	13	M6	12	15	13,3	2,3	15	-
K0274.100008143X20	L	natural beech	28	13	M8	12	15	13,3	2,3	20	-
K0274.10000490X8	L	black grey RAL 7021	28	13	M4	12	15	13,3	2,3	8	-
K0274.10000590X15	L	black grey RAL 7021	28	13	M5	12	15	13,3	2,3	15	-
K0274.10000690X15	L	black grey RAL 7021	28	13	M6	12	15	13,3	2,3	15	-
K0274.10000890X20	L	black grey RAL 7021	28	13	M8	12	15	13,3	2,3	20	-