

Screw nipples locked with grub screw

Item description/product images



Description

Material:

Brass.

Version:

nickel-plated.

Note:

The screw nipple is a replacement part for the indexing plungers with remote actuation K1502.

Accessory:

Wire cable with ball K2023.

Traction sleeve with inner tube K2024.

End sleeve K2025

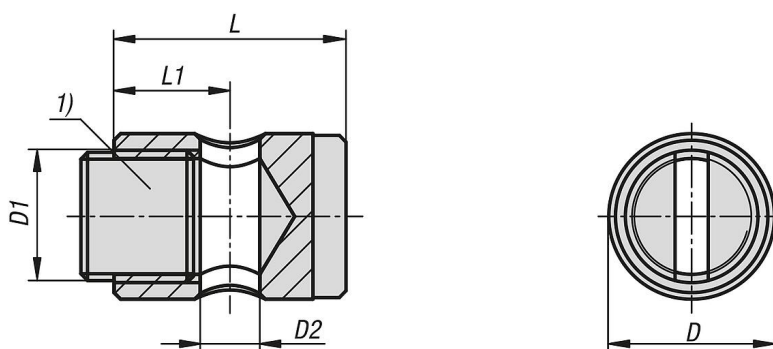
Setscrew K2026.

Hex nut K0700.

Drawing reference:

1) grub screw

Drawings



Overview of items

Screw nipples locked with grub screw

Order No.	Main material	Surface finish body	D	D1	D2	L	L1
K2027.03180507	brass	nickel-plated	5	M4	1,8	7	3,5