

Ball transfer units steel with lockable ball

Item description/product images



Description

Material:

Housing steel.

Lever polyamide.

Load ball stainless steel 1.4034 or polyamide.

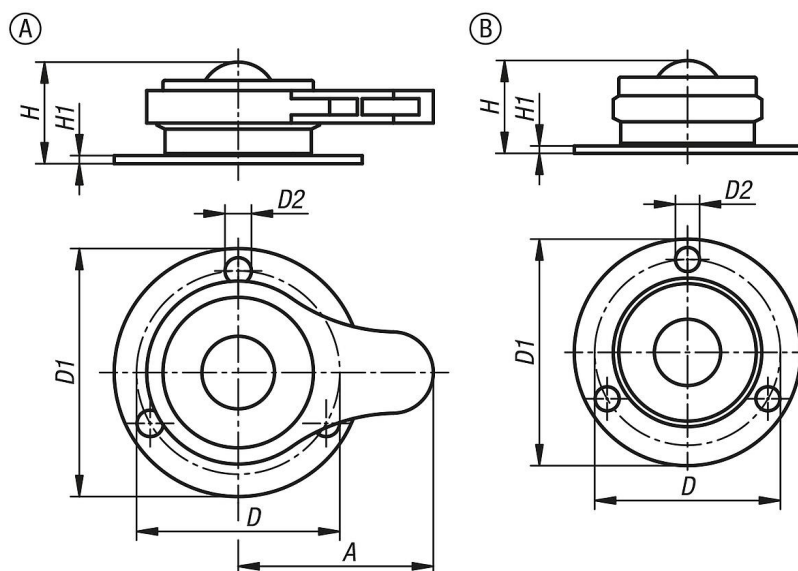
Version:

Steel electro zinc-plated.

Note:

Ball transfer units with lockable balls are suitable for transporting and positioning sensitive goods such as glass or polished aluminium, brass and steel sheets. Ball transfer units can also be used as an alternative to standard rollers, making it easy to transport and position low profiles, e.g. in retail, production or at home.

Drawings



Overview of items

Ball transfer units steel with lockable ball

Order No.	Form	Form definition	Component material	Ball-Ø	A	D	D1	D2	H	H1	Max load in kg ball on top	Max load in kg ball under
K1734.1119	A	with clamping	ball stainless steel	19	48	50	63	6,5	25	2	120	80
K1734.2119	A	with clamping	ball polyamide	19	48	50	63	6,5	25	2	120	80
K1734.1219	B	without clamping	ball stainless steel	19	-	50	63	6,5	25	2	120	80
K1734.2219	B	without clamping	ball polyamide	19	-	50	63	6,5	25	2	120	80