

Swivel and fixed castors medium-duty version

Item description/product images



Description

Material:

Housing steel plate.
Wheel body die-cast aluminium with Extrathane® tread.

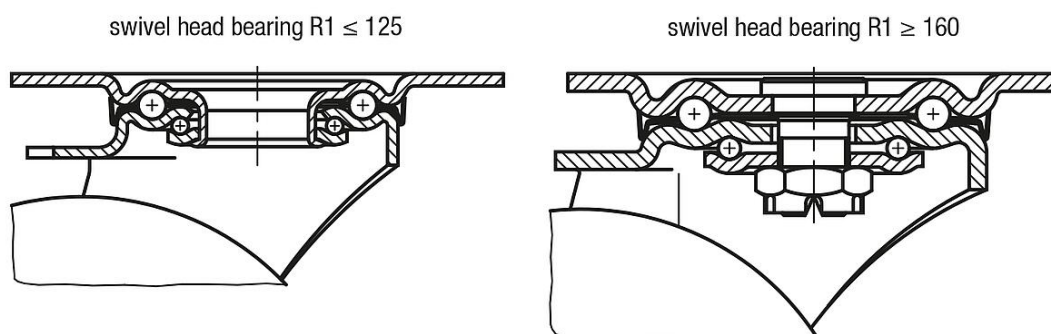
Version:

Housing press formed.
Double ball bearing with ball shield in the castor head.
Precision ball bearings in the wheels.

Note:

The wheels are corrosion resistant and they have a low rolling resistance. Wheel axle bolted.
From diameter 125 mm the wheels have spokes.

Drawings



Overview of items

Swivel and fixed castors medium-duty version

Order No.	Item	Version 1	Wheel bearing	A	B	B1	B2	B3	D	D1	H	L	L1	R	Permissible load kg
K1767.100401	Fixed castor	without locking system	ball bearing	-	40	60	-	85	100	9	130	100	80	-	250
K1767.125401	Fixed castor	without locking system	ball bearing	-	40	60	-	85	125	9	155	100	80	-	250
K1767.160501	Fixed castor	without locking system	ball bearing	-	50	80	75	110	160	11	202	140	105	-	550
K1767.200501	Fixed castor	without locking system	ball bearing	-	50	80	75	110	200	11	245	140	105	-	800
K1767.10040	Swivel castor	without locking system	ball bearing	45	40	60	-	85	100	9	130	100	80	95	250
K1767.12540	Swivel castor	without locking system	ball bearing	48	40	60	-	85	125	9	155	100	80	110,5	250
K1767.16050	Swivel castor	without locking system	ball bearing	63	50	80	75	110	160	11	202	140	105	143	550
K1767.20050	Swivel castor	without locking system	ball bearing	70	50	80	75	110	200	11	245	140	105	170	800
K1767.100402	Swivel castor	with stop-top locking system	ball bearing	45	40	60	-	85	100	9	130	100	80	95	250

Swivel and fixed castors medium-duty version

Overview of items

Order No.	Item	Version 1	Wheel bearing	A	B	B1	B2	B3	D	D1	H	L	L1	R	Permissible load kg
K1767.125402	Swivel castor	with stop-top locking system	ball bearing	48	40	60	-	85	125	9	155	100	80	110,5	250
K1767.160502	Swivel castor	with stop-top locking system	ball bearing	63	50	80	75	110	160	11	202	140	105	143	550
K1767.200502	Swivel castor	with stop-top locking system	ball bearing	70	50	80	75	110	200	11	245	140	105	170	800