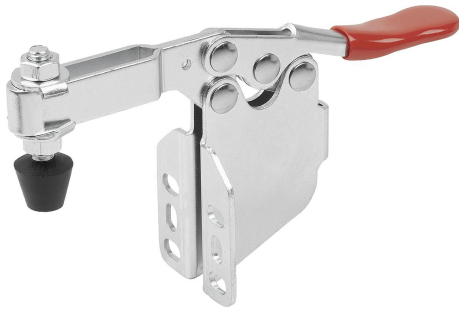


Toggle clamp horizontal with angled foot and adjustable clamping spindle

Item description/product images

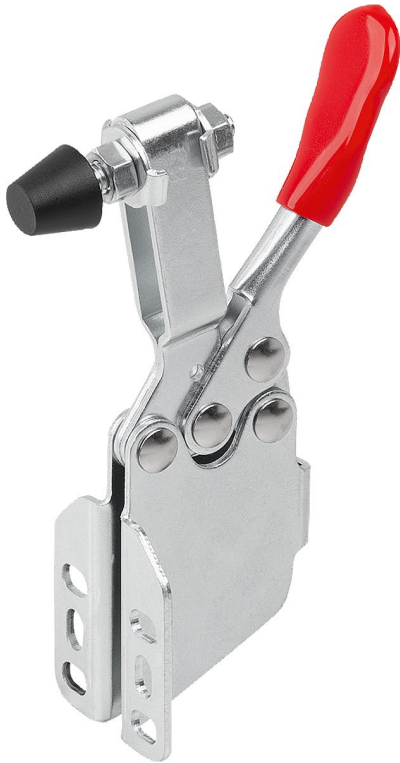


Description

Material:
Steel.

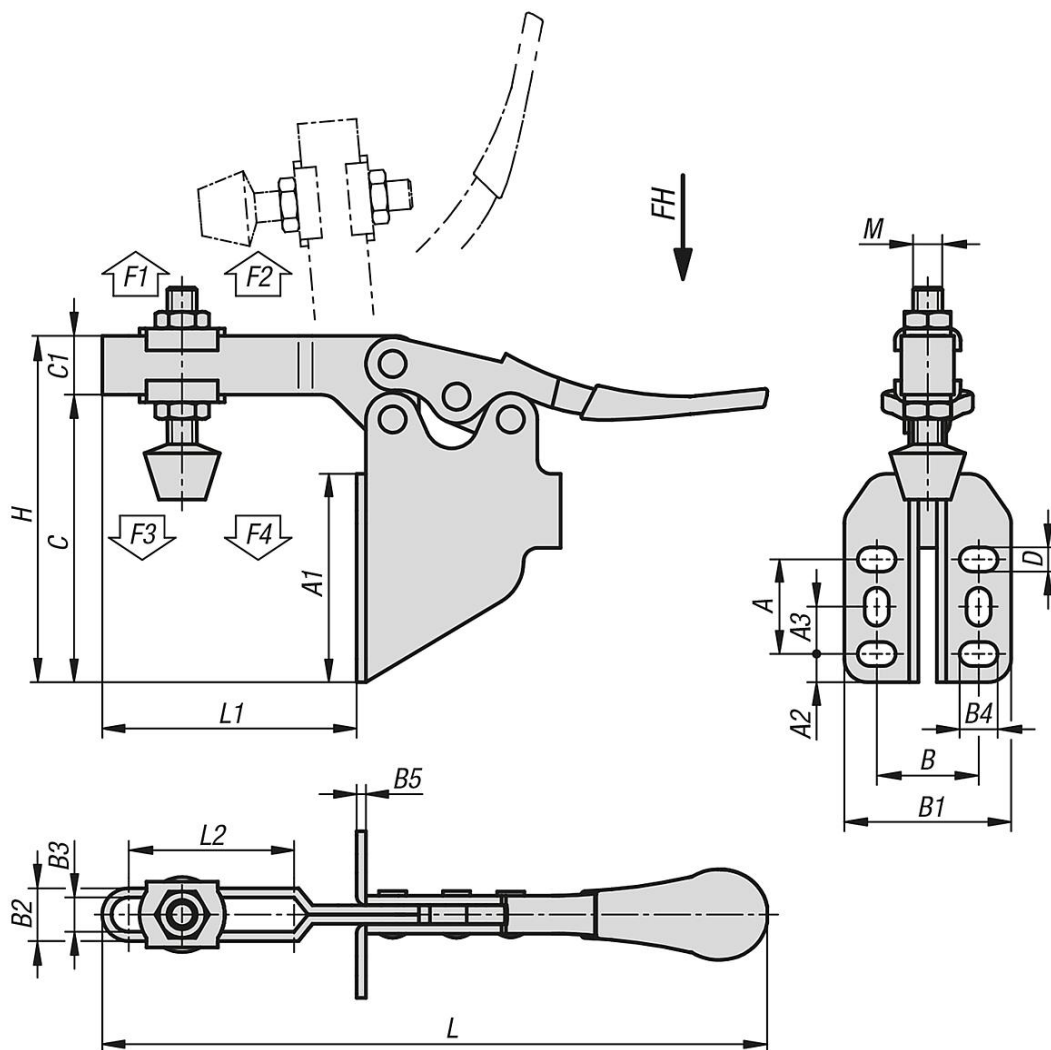
Version:
Electro zinc-plated steel.
Plastic handle, oil-resistant.

Note:
The clamping spindle is supplied with a neoprene thrust pad.



Toggle clamp horizontal with angled foot and adjustable clamping spindle

Drawings



Overview of items

Toggle clamp horizontal with angled foot and adjustable clamping spindle

Order No.	Opening angle of holding arm	Opening angle of handle	Hand force FH N	Retaining force F1 N	Retaining force F2 N	Clamping force F3 N	Clamping force F4 N
K1542.01200	85°	73°	100	600	1200	300	700
K1542.02800	90°	65°	160	1200	2800	600	1000

Order No.	A	A1	A2	A3	B	B1	B2	B3	B4	B5	C	C1	D	H	L	L1	L2	M
K1542.01200	20,4	45	6,1	10,2	22	36	11,4	7,4	8,2	2	62,1	12,7	5,2	74,8	143,5	54,9	35,6	M6x44
K1542.02800	21,4	40	5,9	10,7	27,6	42,4	14,7	8,7	9,7	3	67,2	12,7	6,7	79,9	173	68	39,1	M8x63