

Star grips, plastic with protruding steel bush, Form K, tapped bush

Item description/product images



Description

Product description:

The thermoset star grip is distinguished by its closed grip contour. The contact surface of the protruding steel bush is vertical to the thread axis and ensures a firm screw connection.

Material:

Thermoset PF 31.
Steel grade 5.8 or stainless steel 1.4305.

Version:

Thermoset black, high-gloss polished.
Metal parts trivalent blue passivated steel or bright stainless steel.

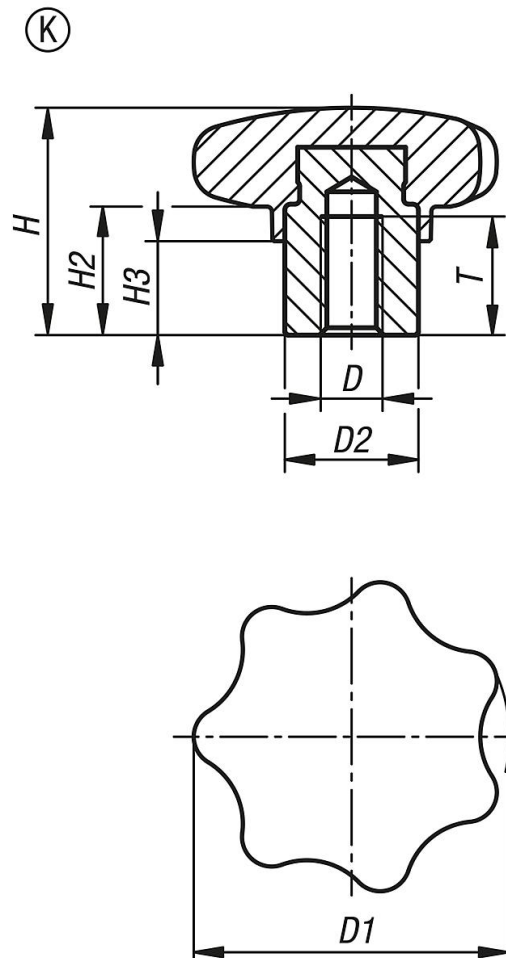
Advantages:

Wear resistant contact surface
Closed grip contour

On request:

Form H: bush with blind hole

Drawings



Star grips, plastic with protruding steel bush, Form K, tapped bush

Overview of items

Order No.	Component material	Form	D	D1	D2	H	H2	H3	T
K1514.23206	steel	K	M6	32	13,5	23	13	9,5	12
K1514.24006	steel	K	M6	40	13,5	25	13	10	12
K1514.24008	steel	K	M8	40	13,5	25	13	10	12
K1514.25008	steel	K	M8	50	19	32	17	12	17
K1514.25010	steel	K	M10	50	19	32	17	12	17
K1514.26310	steel	K	M10	63	19	40	20	15	17
K1514.26312	steel	K	M12	63	19	40	20	15	17
K1514.33206	stainless steel	K	M6	32	13,5	23	13	9,5	12
K1514.34006	stainless steel	K	M6	40	13,5	25	13	10	12
K1514.34008	stainless steel	K	M8	40	13,5	25	13	10	12
K1514.35008	stainless steel	K	M8	50	19	32	17	12	17
K1514.35010	stainless steel	K	M10	50	19	32	17	12	17
K1514.36310	stainless steel	K	M10	63	19	40	20	15	17
K1514.36312	stainless steel	K	M12	63	19	40	20	15	17