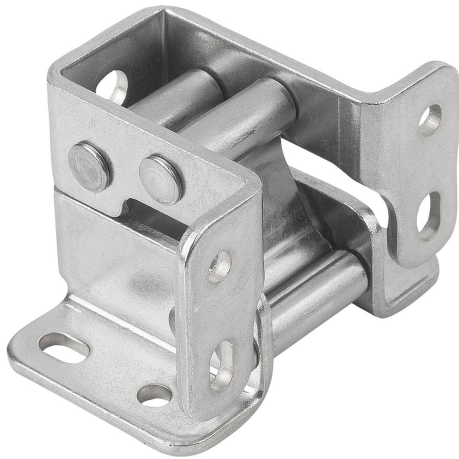


Hinges steel or stainless steel internal, opening angle 90°

Item description/product images



Description

Material:

Steel, pins and connecting elements 1.4016 stainless steel.
Stainless steel, all components 1.4404 stainless steel.

Version:

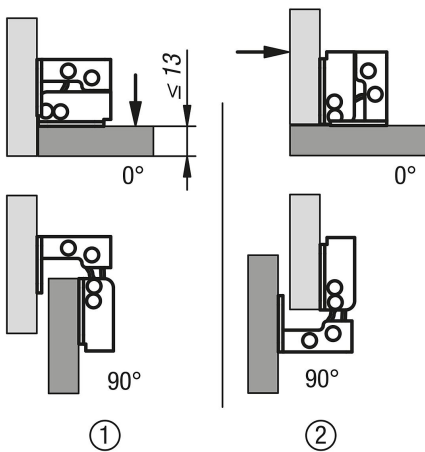
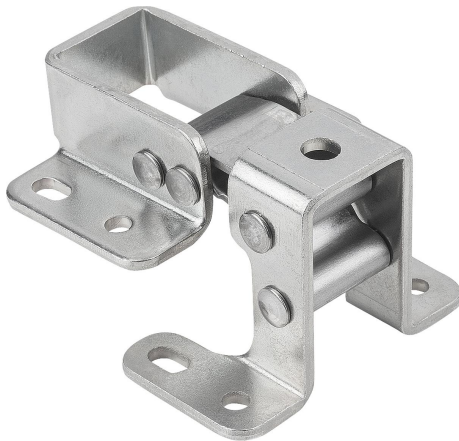
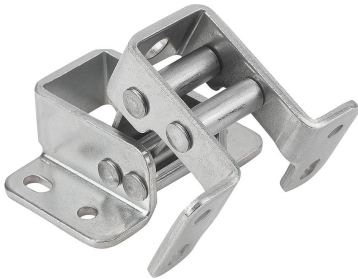
Electro zinc-plated.
Bright.

Assembly:

- For recessed or surface mounting.
- Can be mounted on right or left side.
- For horizontal or vertical applications.

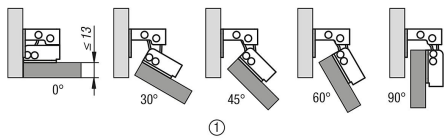
Drawing reference:

- 1) recessed mounting
- 2) surface mounting

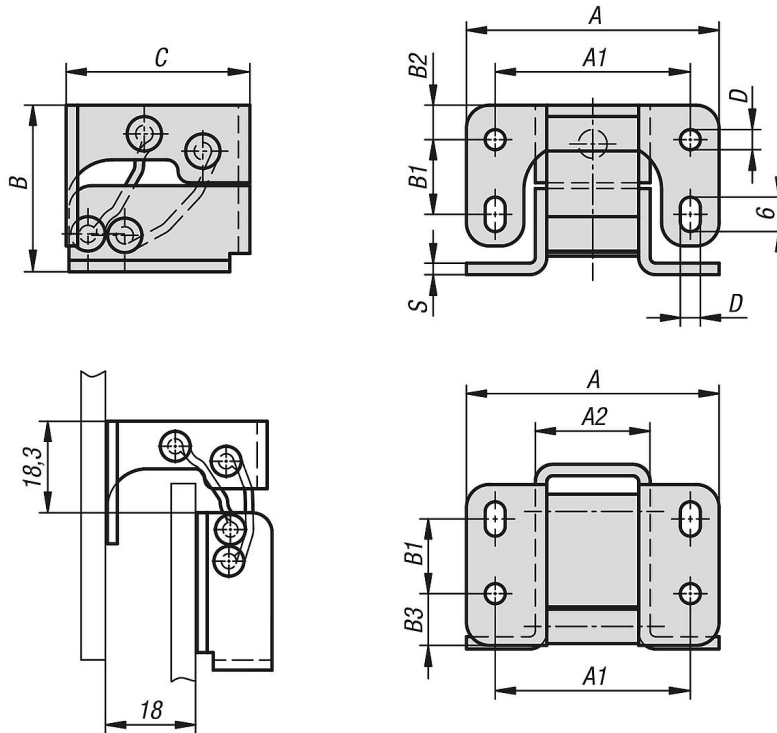


Hinges steel or stainless steel internal, opening angle 90°

Item description/product images



Drawings



Overview of items

Hinges steel or stainless steel, internal, opening angle 90°

Order No.	Main material	A	A1	A2	B	B1	B2	B3	C	D	S
K1447.442932	steel	44	34	20	29	13	6	9,5	32	3,5	2
K1447.1442932	stainless steel A4	44	34	20	29	13	6	9,5	32	3,5	2