

Toggle clamps vertical with angled foot and fixed clamping spindle

Item description/product images



Description

Material:

Steel.

Version:

Trivalent passivated.

Clamping spindle and nuts phosphated.

Plastic grip oil-resistant.

Note:

A neoprene thrust pad is supplied with versions K1436.00800 and K1436.01600.

Accessory:

K0688

K0689

K0690

K0101

K1442

K0102

K0103

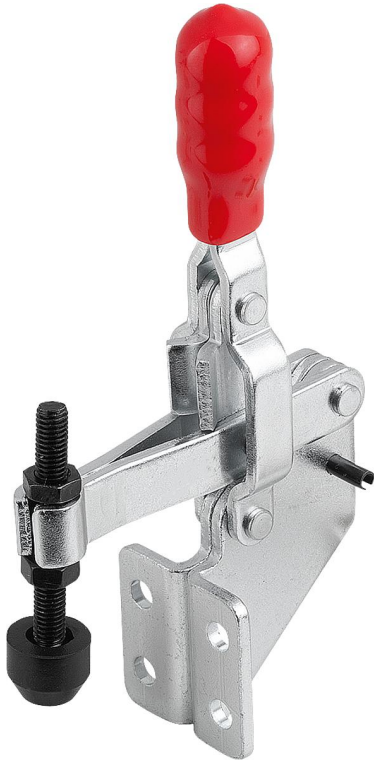
K1443

K0104

K0106

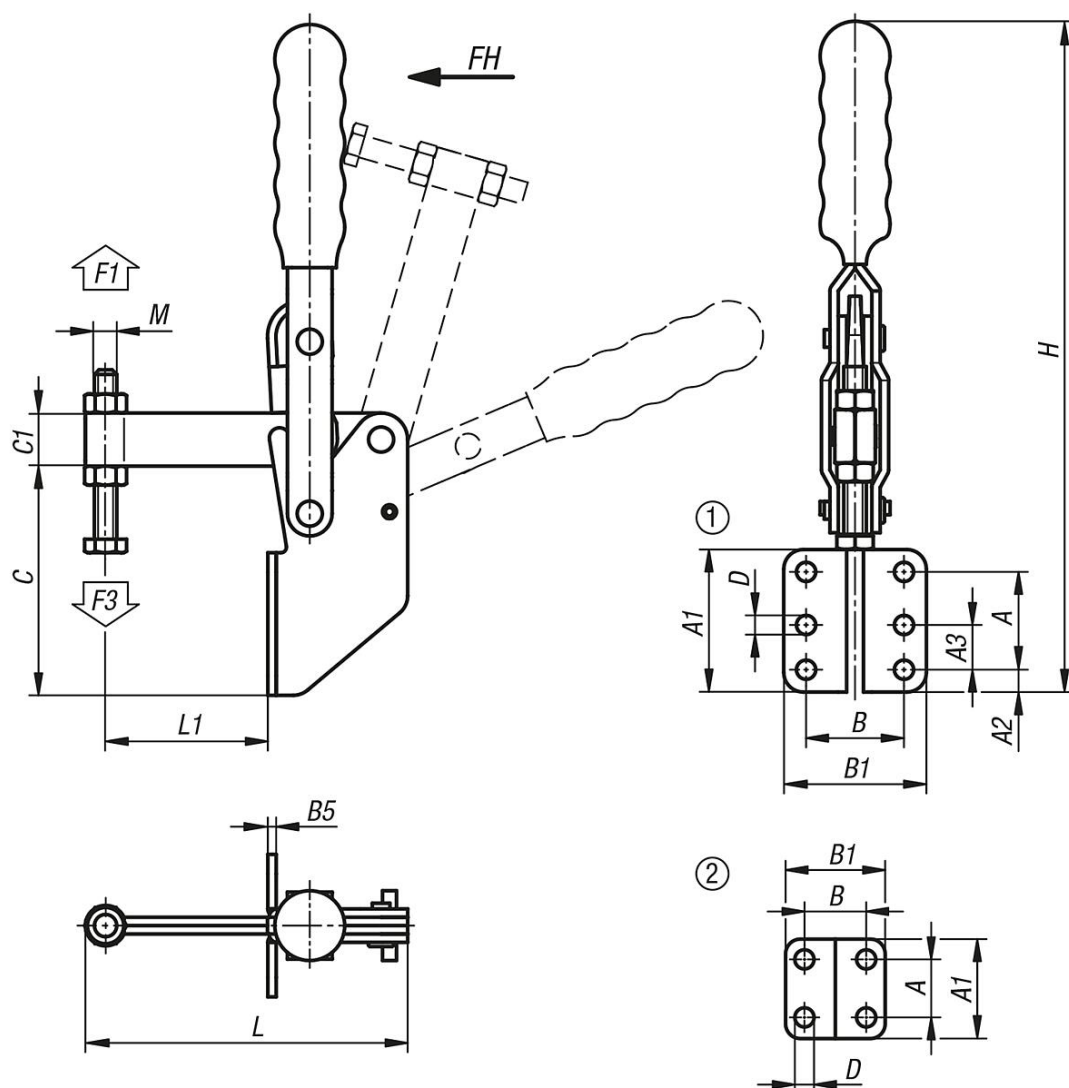
Toggle clamps vertical with angled foot and fixed clamping spindle

Item description/product images



Toggle clamps vertical with angled foot and fixed clamping spindle

Drawings



Overview of items

Toggle clamps vertical with angled foot and fixed clamping spindle

Order No.	hole arrangement	Opening angle of holding arm	Opening angle of handle	Hand force FH N	Retaining force F1 N	Clamping force F3 N
K1436.00800	2	96°	69°	50	800	600
K1436.01600	2	108°	70°	100	1600	1100
K1436.03000	1	106°	67°	100	3000	1100

Order No.	A	A1	A2	A3	B	B1	B5	C	C1	D	H	L	L1	M
K1436.00800	14	29	-	-	17,5	28	2,5	44	10	4,9	121	65,65	24,5	M5x35
K1436.01600	19	35	-	-	26	42	3	64	13	5,5	170	75,7	26	M6x50
K1436.03000	35	51	8	16	35	51	3	82	19	6,8	244	115,3	58	M8x60

