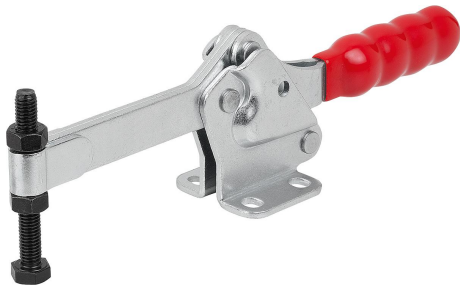


# Toggle clamps horizontal with flat foot and full holding arm

## Item description/product images



### Description

**Material:**  
Steel.

**Version:**  
Electro zinc-plated steel.  
Plastic handle, oil-resistant.

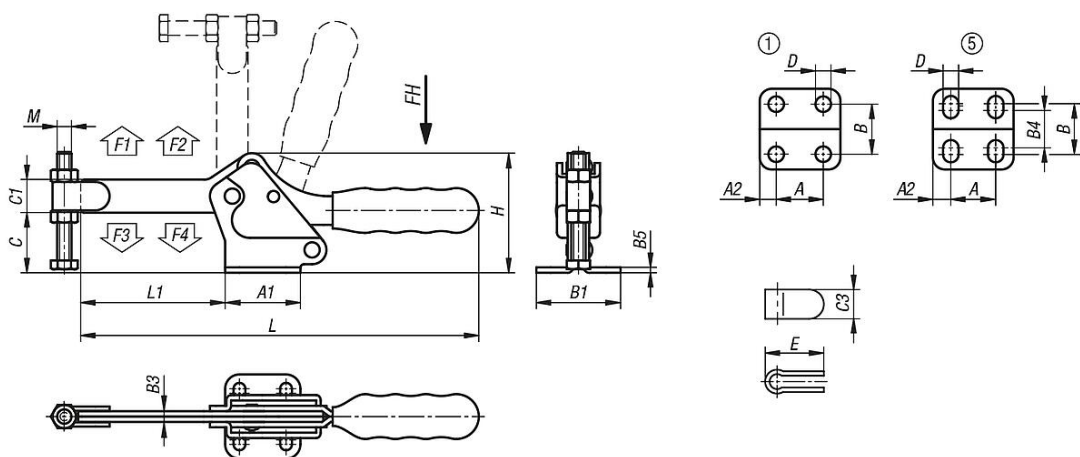
**Note:**  
spindle bracket weldable.

### Accessory:

- K0688
- K0689
- K0690
- K0101
- K1442
- K0102
- K0103
- K1443
- K0104
- K0106
- K1431



## Drawings



## Overview of items

### Toggle clamps horizontal with flat foot and full holding arm

## Toggle clamps horizontal with flat foot and full holding arm

### Overview of items

Order No.	hole arrangement	Opening angle of holding arm	Opening angle of handle	Hand force FH N	Retaining force F1 N	Retaining force F2 N	Clamping force F3 N	Clamping force F4 N
<b>K1435.01400</b>	5	90°	72°	200	1400	3400	800	1900
<b>K1435.02400</b>	5	94°	76°	250	2400	5400	1100	3000
<b>K1435.03000</b>	1	94°	80°	250	3000	6400	1100	3000

Order No.	A	A1	A2	B	B1	B3	B4	B5	C	C1	C3	D	E	H	L	L1	M
<b>K1435.01400</b>	26	42	8	31	47	6	26	3	34	17,5	16	6,6	31	67	224	82	M8x60
<b>K1435.02400</b>	41,2	59	9	43	59	8	39	4	45	23	20	8,7	40	90,1	280	111	M10x80
<b>K1435.03000</b>	41,2	66	13	41,3	67	10	-	5	59	26	23	8,7	44	111	307	130	M12x100