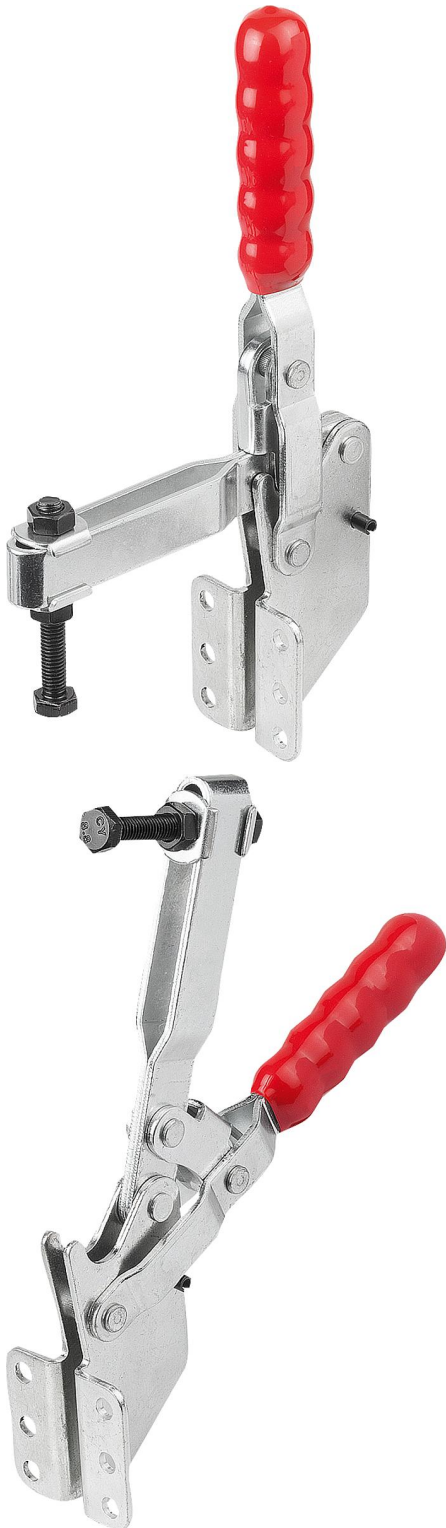


Toggle clamps vertical with angled foot and adjustable clamping spindle

Item description/product images



Description

Material:

Steel.

Version:

Electro zinc-plated steel.
Plastic handle, oil-resistant.

Note:

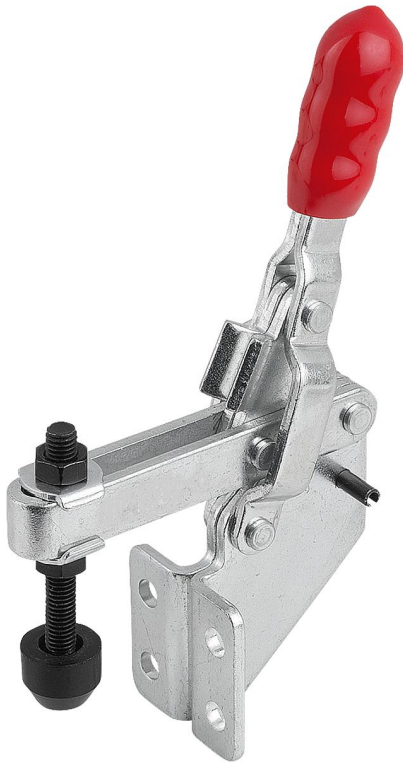
A neoprene thrust pad is supplied with versions K1259.01000 and K1259.02000.

Accessory:

K0688
K0689
K0690
K0101
K1442
K0102
K0103
K1443
K0104
K0106
K1441

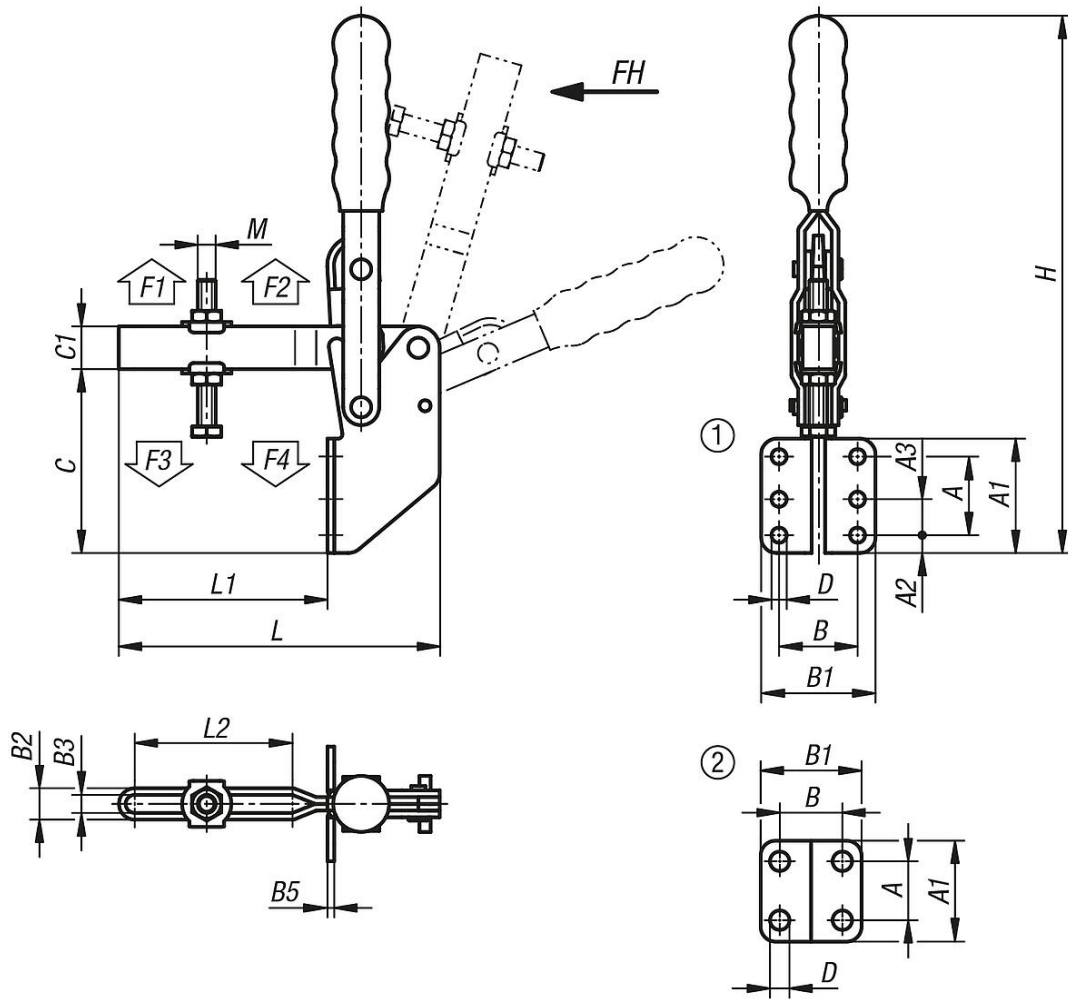
Toggle clamps vertical with angled foot and adjustable clamping spindle

Item description/product images



Toggle clamps vertical with angled foot and adjustable clamping spindle

Drawings



Overview of items

Toggle clamps vertical with angled foot and adjustable clamping spindle

Order No.	hole arrangement	Opening angle of holding arm	Opening angle of handle	Hand force FH N	Retaining force F1 N	Retaining force F2 N	Clamping force F3 N	Clamping force F4 N
K1259.01000	2	96°	69°	50	700	1000	500	800
K1259.02000	2	108°	70°	100	1000	2000	900	1300
K1259.03600	1	106°	67°	100	1800	3600	900	1800

Order No.	A	A1	A2	A3	B	B1	B2	B3	B5	C	C1	D	H	L	L1	L2	M
K1259.01000	14	29	-	-	17,5	28	10	5	2,5	44	10	4,9	121	67	31	26	M5x35
K1259.02000	19	35	-	-	26	42	11	6	3	64	13	5,5	170	79	35	29,5	M6x50
K1259.03600	35	51	8	16	35	51	14,8	8,8	3	82	19	6,8	244	143	93	70	M8x60