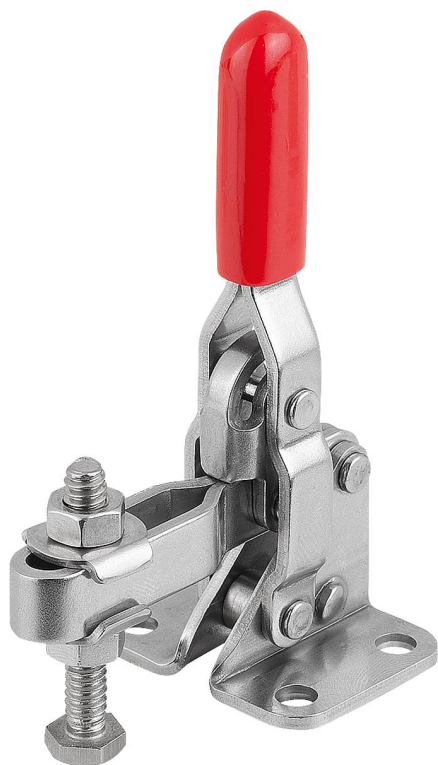


## Toggle clamps vertical with flat foot and adjustable clamping spindle

### Item description/product images



### Description

**Material:**

Steel or stainless steel.

**Version:**

Electro zinc-plated steel.

Bright stainless steel.

Plastic handle, oil-resistant.

**Note:**

A neoprene thrust pad is supplied with version K1256.01000.

**Accessory:**

K0101

K1442

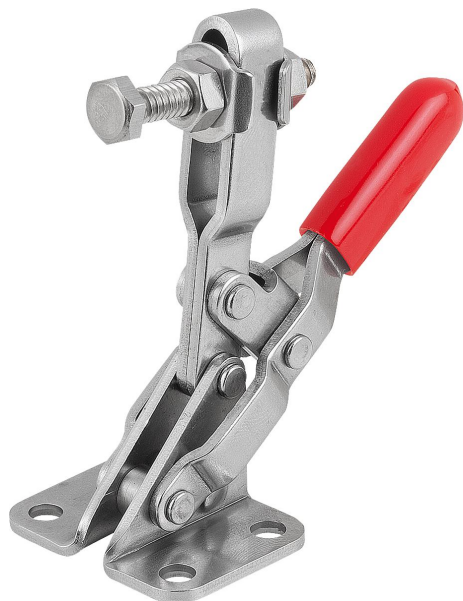
K0102

K0103

K1443

K0106

K1441



## Toggle clamps vertical with flat foot and adjustable clamping spindle

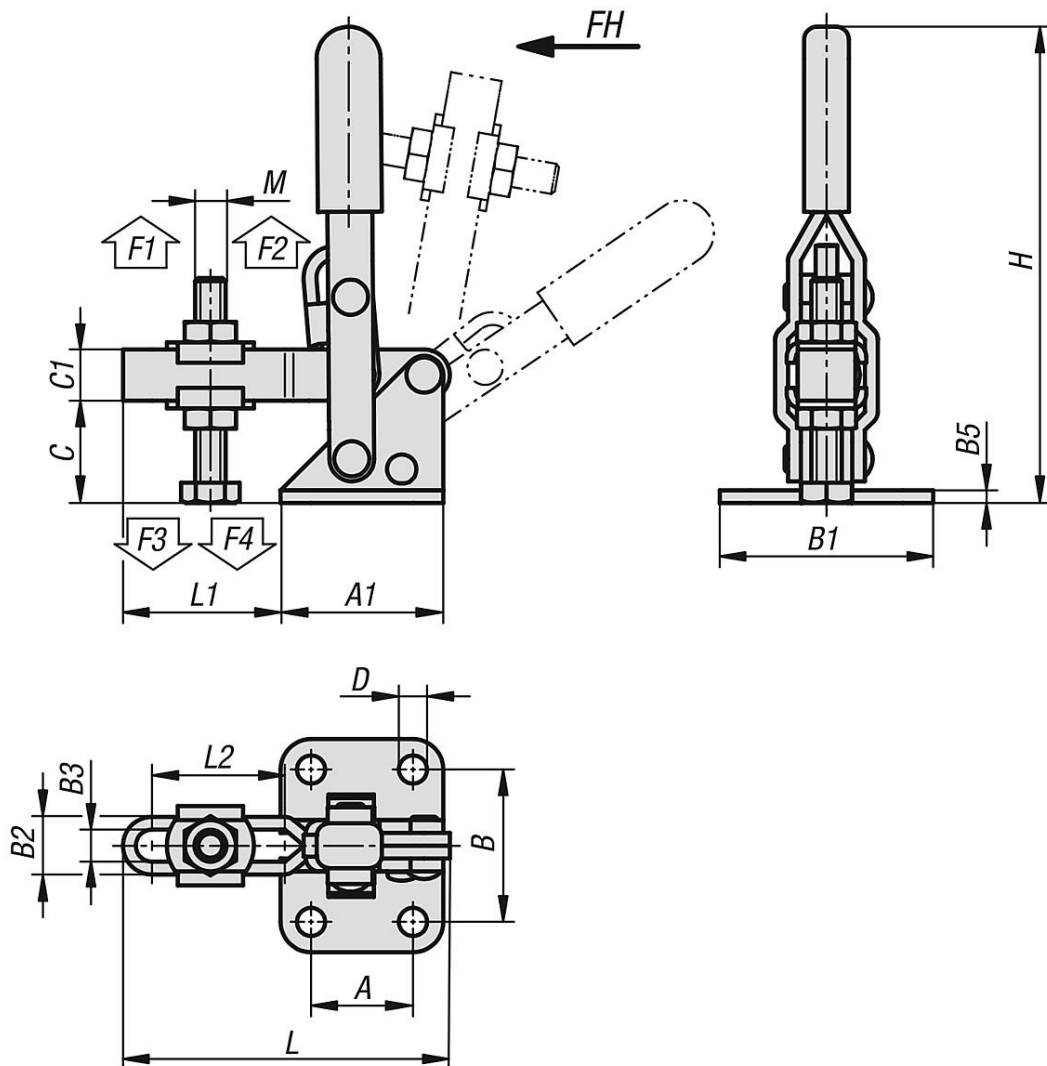
Item description/product images

---



# Toggle clamps vertical with flat foot and adjustable clamping spindle

## Drawings



## Overview of items

### Toggle clamps vertical with flat foot and adjustable clamping spindle

Order No.	Main material	Opening angle of holding arm	Opening angle of handle	Hand force FH N	Retaining force F1 N	Retaining force F2 N	Clamping force F3 N	Clamping force F4 N
K1256.01000	steel	100°	56°	50	700	1000	500	700
K1256.11000	stainless steel	100°	56°	50	700	1000	500	700

Order No.	Main material	A	A1	B	B1	B2	B3	B5	C	C1	D	H	L	L1	L2	M
K1256.01000	steel	15,9	25,4	23,8	33,3	9	5	2	16	8	4,4	74,4	51	24,6	20,8	M5x37
K1256.11000	stainless steel	15,9	25,4	23,8	33,3	9	5	2	16	8	4,4	74,4	51	24,6	20,8	M5x30