

## Toggle clamps vertical with straight foot and adjustable clamping spindle

Item description/product images



### Description

**Material:**

Steel.

**Version:**

Electro zinc-plated steel.

Plastic handle, oil-resistant.

**Note:**

The clamping spindle is supplied with a neoprene thrust pad.

**Accessory:**

K0688

K0689

K0690

K0101

K1442

K0102

K0103

K1443

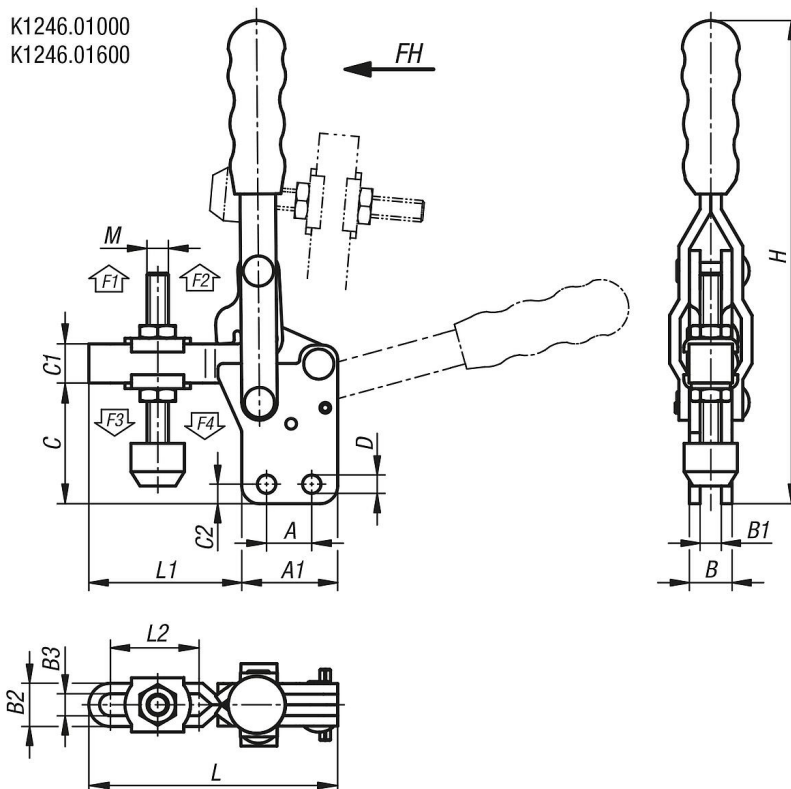
K0104

K0106

K1441

## Toggle clamps vertical with straight foot and adjustable clamping spindle

Drawings



### Overview of items

#### Toggle clamps vertical with straight foot and adjustable clamping spindle

Order No.	Opening angle of holding arm	Opening angle of handle	Hand force FH N	Retaining force F1 N	Retaining force F2 N	Clamping force F3 N	Clamping force F4 N
K1246.01000	120°	85°	80	700	1000	500	750
K1246.01600	95°	75°	100	1200	1600	800	1000
K1246.02400	100°	56°	150	1200	2400	800	1600
K1246.04000	112°	61°	250	2000	4000	1400	3000

Order No.	A	A1	B	B1	B2	B3	C	C1	C2	D	H	L	L1	L2	M
K1246.01000	16	26	8	4	9,5	5,5	27,6	9	5	4,4	99,7	57	31	16,6	M5x40
K1246.01600	12,7	27	12	6	12,2	6,2	34	11	5,5	5,2	136	70	43	24,9	M6x50
K1246.02400	19	34,9	12	6	14,3	8,3	46,8	16	7,1	7,2	156	117,2	73,2	49,4	M8x63
K1246.04000	31,8	49,2	14	8	19	11	67,2	19	9,5	8,7	229	139,5	90,3	63,5	M10x85