

Quarter-turn locks, stainless steel, small version

Item description/product images



Description

Material:

Housing, stainless steel 1.4404.

Actuation and fastening nut, stainless steel 1.4404.

Version:

Bright.

Note:

The quarter turn lock can be installed pre-assembled. For right or left use. Water and dust protected acc. to IP65 from DIN EN 60529.

Please order required tongue version separately. Every tongue can be combined with every housing.

Accessory:

Key K0535

Drawing reference:

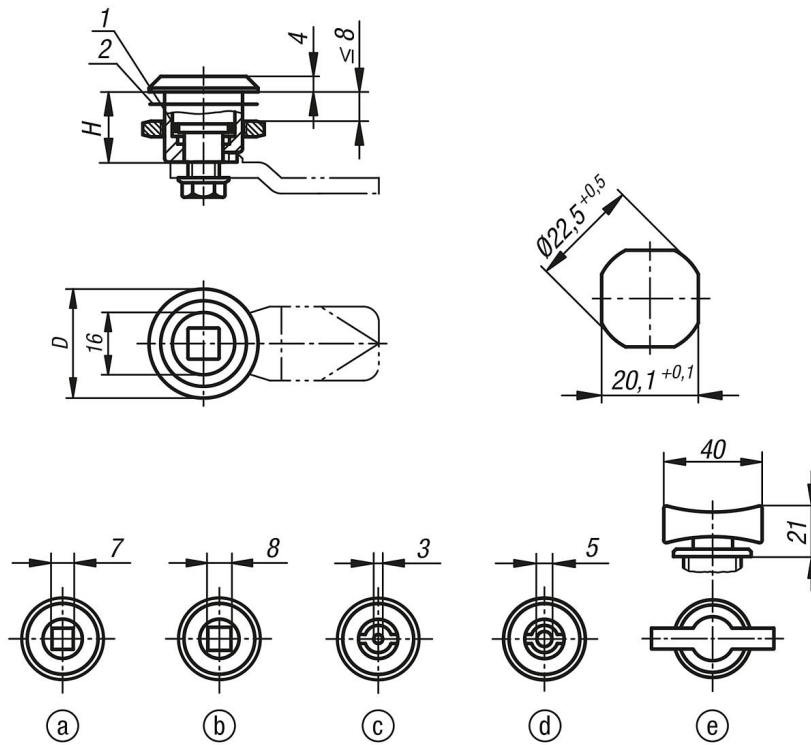
Actuation:

- a) square 7 mm
- b) square 8 mm
- c) double lug 3 mm
- d) double lug 5 mm
- e) wing grip

- 1) O-ring
- 2) flat seal

Quarter-turn locks, stainless steel, small version

Drawings



Overview of items

Order No.	Actuation	D	H
K1351.1718	square 7 mm	28	18
K1351.1818	square 8 mm	28	18
K1351.4318	double lug 3 mm	28	18
K1351.4518	double lug 5 mm	28	18
K1351.0018	wing grip	28	18