

Quarter-turn locks in Hygienic DESIGN

Item description/product images



Description

Material:

Housing, actuation and fastening nut, stainless steel 1.4404.
O-rings red silicone, conforming to FDA.

Version:

Bright.

Note:

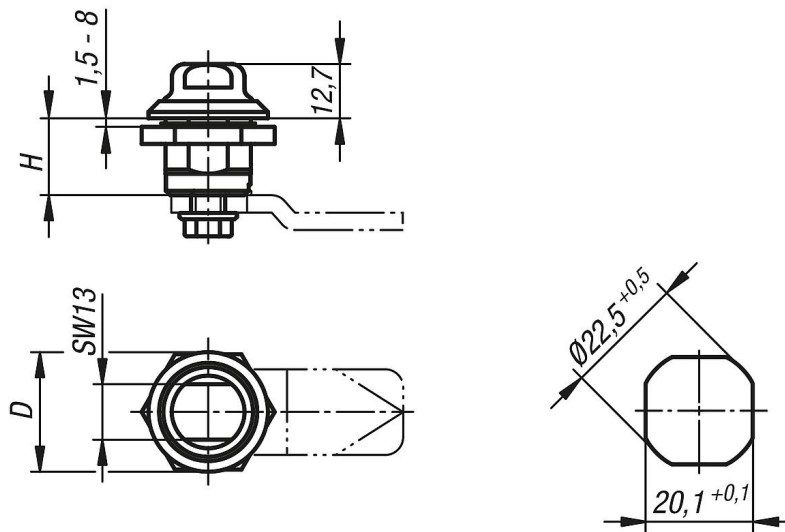
The quarter turn lock fulfills the hygienic requirements acc. to DIN EN 1672-2 and DIN EN 14159.
Especially suitable for the food and beverage industry.

Please order required tongue version separately. Every tongue can be combined with every housing.

Accessory:

- Lock key K1335.113
- Ring spanner K1362.16
- Protective insert K1362.1613

Drawings



Overview of items

| Order No. | Actuation | D | H |
|-----------|-------------|----|----|
| K1353.18 | double flat | 28 | 18 |