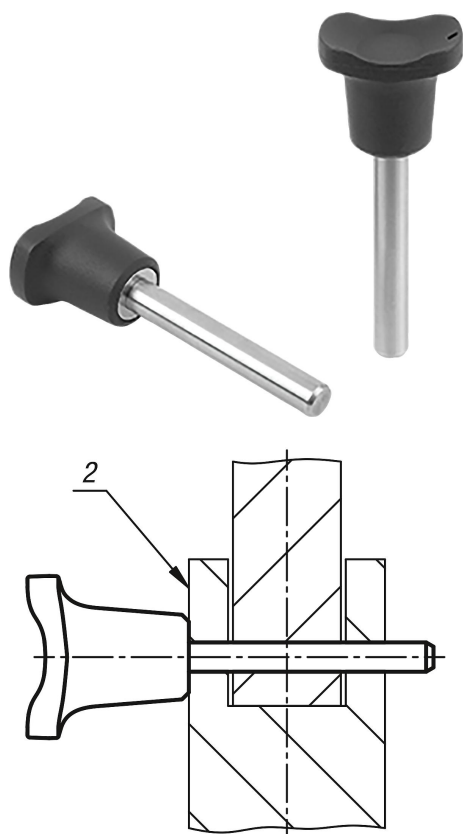


Locking pins, stainless steel with plastic grip and magnetic axial lock

Item description/product images



Description

Material:

Grip thermoplastic.
Steel parts 1.4305 stainless steel.
Magnet NdFeB.

Version:

Grip black.
Stainless steel bright.

Note:

The locking pins with magnetic axial lock are used for fast and easy fixating and joining of parts and workpieces.
Magnets integrated into the grip ensure axial positioning and hold the locking pin in the inserted position.

Smooth surfaces and a perpendicular insertion bore have a positive effect on the retaining forces.

Optional retainer systems can be used to make the locking pins captive.

Shear force double-shear (F) = $S \cdot \tau \cdot aB$ max.

On request:

Other pin lengths.

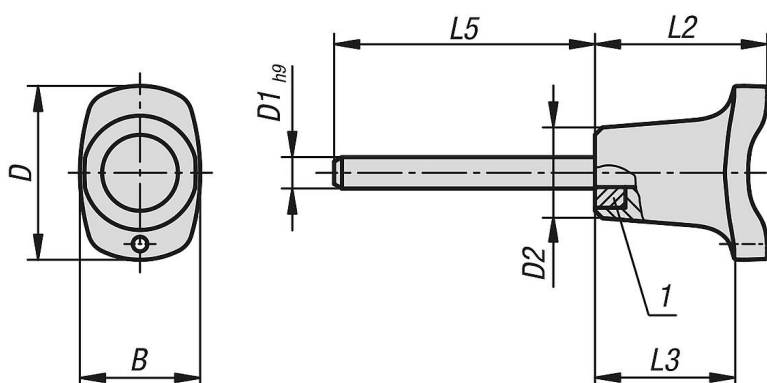
Accessory:

Safety spiral cable K0367....
Retaining cable with loop K0367....
Key ring K0367....
Ball chains K1125....

Drawing reference:

- 1) Magnet
- 2) Steel part/workpiece

Drawings



Locking pins, stainless steel with plastic grip and magnetic axial lock

Overview of items

Locking pin with magnetic axial lock

Order No.	B	D	D1	D2	L2	L3	L5	Receiving hole	Shearing force double shear max.kN	Clamping force ca. N
K1216.3306015	23	33,2	6	17,3	33	26,1	15	6	22	43
K1216.3306030	23	33,2	6	17,3	33	26,1	30	6	22	43
K1216.3306040	23	33,2	6	17,3	33	26,1	40	6	22	43
K1216.3306050	23	33,2	6	17,3	33	26,1	50	6	22	43
K1216.3306060	23	33,2	6	17,3	33	26,1	60	6	22	43
K1216.3306070	23	33,2	6	17,3	33	26,1	70	6	22	43
K1216.3306080	23	33,2	6	17,3	33	26,1	80	6	22	43
K1216.3308015	23	33,2	8	17,3	33	26,1	15	8	38	43
K1216.3308030	23	33,2	8	17,3	33	26,1	30	8	38	43
K1216.3308040	23	33,2	8	17,3	33	26,1	40	8	38	43
K1216.3308050	23	33,2	8	17,3	33	26,1	50	8	38	43
K1216.3308060	23	33,2	8	17,3	33	26,1	60	8	38	43
K1216.3308070	23	33,2	8	17,3	33	26,1	70	8	38	43
K1216.3308080	23	33,2	8	17,3	33	26,1	80	8	38	43
K1216.4610015	33	45,9	10	26,3	39,5	31,3	15	10	60	74
K1216.4610030	33	45,9	10	26,3	39,5	31,3	30	10	60	74
K1216.4610040	33	45,9	10	26,3	39,5	31,3	40	10	60	74
K1216.4610050	33	45,9	10	26,3	39,5	31,3	50	10	60	74
K1216.4610060	33	45,9	10	26,3	39,5	31,3	60	10	60	74
K1216.4610070	33	45,9	10	26,3	39,5	31,3	70	10	60	74
K1216.4610080	33	45,9	10	26,3	39,5	31,3	80	10	60	74
K1216.4612030	33	45,9	12	26,3	39,5	31,3	30	12	86	74
K1216.4612040	33	45,9	12	26,3	39,5	31,3	40	12	86	74
K1216.4612050	33	45,9	12	26,3	39,5	31,3	50	12	86	74
K1216.4612060	33	45,9	12	26,3	39,5	31,3	60	12	86	74
K1216.4612070	33	45,9	12	26,3	39,5	31,3	70	12	86	74
K1216.4612080	33	45,9	12	26,3	39,5	31,3	80	12	86	74