

Handwheels 2-spoke, aluminium, flat rim, without grip

Item description/product images



Description

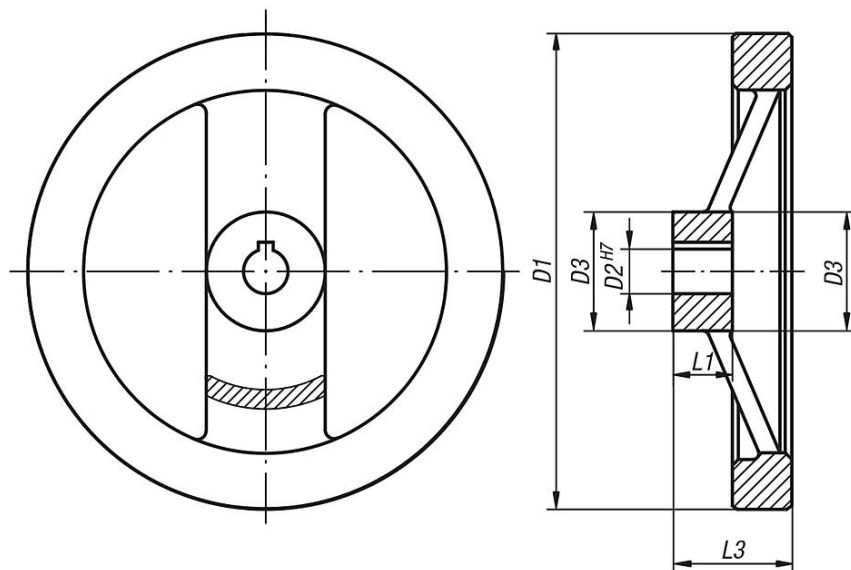
Material:
Spoked handwheels aluminium.

Version:
Black, powder-coated.
Wheel rim turned.

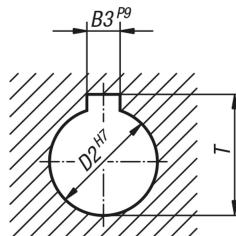
On request:
Hubs with square socket.

Drawings

without cylindrical grip



DIN 6885-1



Overview of items

Order No.	Version 1	D1	D2	D3	L1	L3	B3	T
K0162.01080X10	reamed hole	80	10H7	24	16	28	-	-

Handwheels 2-spoke, aluminium, flat rim, without grip

Overview of items

Order No.	Version 1	D1	D2	D3	L1	L3	B3	T
K0162.01080X12	reamed hole	80	12H7	24	16	28	-	-
K0162.01100X10	reamed hole	100	10H7	26	17	33	-	-
K0162.01100X12	reamed hole	100	12H7	26	17	33	-	-
K0162.01125X12	reamed hole	125	12H7	31	18	33,5	-	-
K0162.01125X14	reamed hole	125	14H7	31	18	33,5	-	-
K0162.01160X14	reamed hole	160	14H7	40	20	39	-	-
K0162.01160X16	reamed hole	160	16H7	40	20	39	-	-
K0162.01200X18	reamed hole	200	18H7	42	24	45	-	-
K0162.01200X20	reamed hole	200	20H7	42	24	45	-	-
K0162.01250X22	reamed hole	250	22H7	48	28	51	-	-
K0162.01250X26	reamed hole	250	26H7	48	28	51	-	-
K0162.11080X10	reamed hole with slot	80	10H7	24	16	28	3	11,4
K0162.11080X12	reamed hole with slot	80	12H7	24	16	28	4	13,8
K0162.11100X10	reamed hole with slot	100	10H7	26	17	33	3	11,4
K0162.11100X12	reamed hole with slot	100	12H7	26	17	33	4	13,8
K0162.11125X12	reamed hole with slot	125	12H7	31	18	33,5	4	13,8
K0162.11125X14	reamed hole with slot	125	14H7	31	18	33,5	5	16,3
K0162.11160X14	reamed hole with slot	160	14H7	40	20	39	5	16,3
K0162.11160X16	reamed hole with slot	160	16H7	40	20	39	5	18,3
K0162.11200X18	reamed hole with slot	200	18H7	42	24	45	6	20,8
K0162.11200X20	reamed hole with slot	200	20H7	42	24	45	6	22,8
K0162.11250X22	reamed hole with slot	250	22H7	48	28	51	6	24,8
K0162.11250X26	reamed hole with slot	250	26H7	48	28	51	8	29,3