

## Tombstones double-sided without grid holes

### Item description/product images



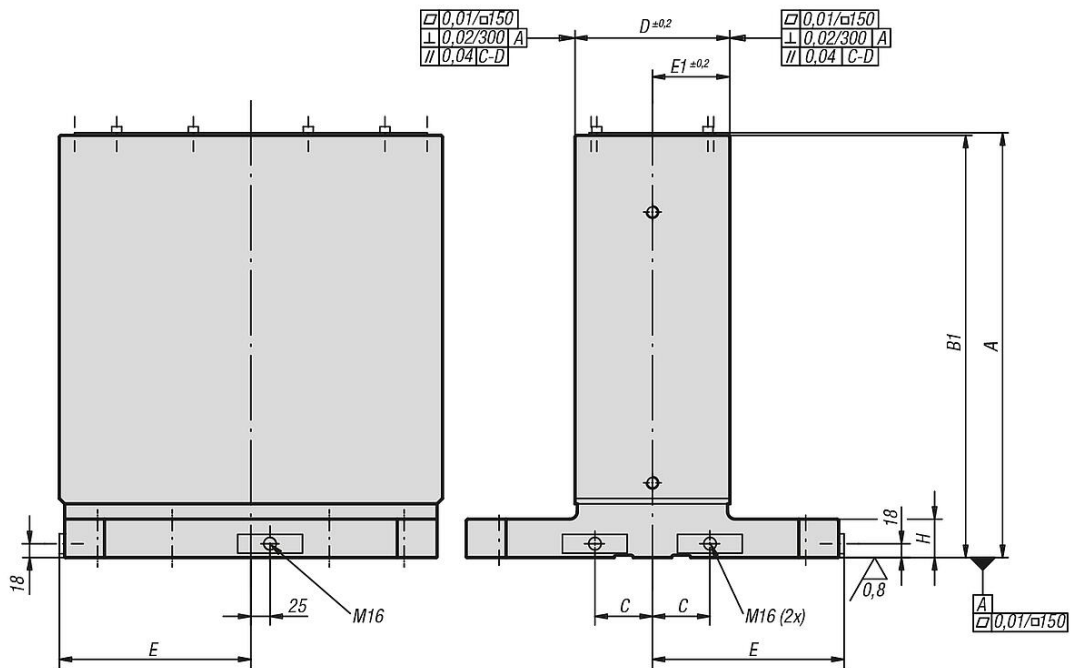
### Description

**Material:**  
GJL 300.

**Version:**  
Reference surfaces precision machined.  
The clamping surfaces have 0.5 mm allowance.

**Note:**  
The double-sided tombstones are matched to subplates for machine tools acc. to DIN 55201 and JIS 6337-1980.  
Ring bolts for lifting are supplied. A cover prevents the cavity of the tombstone filling up with swarf.

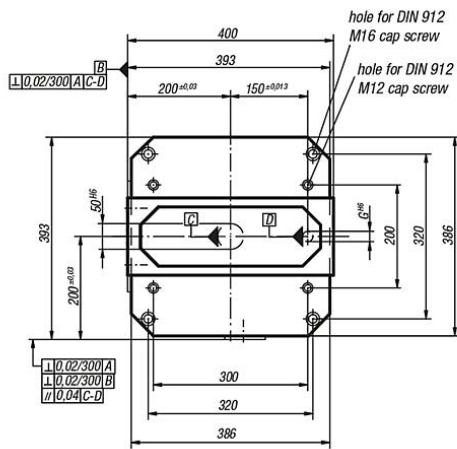
### Drawings



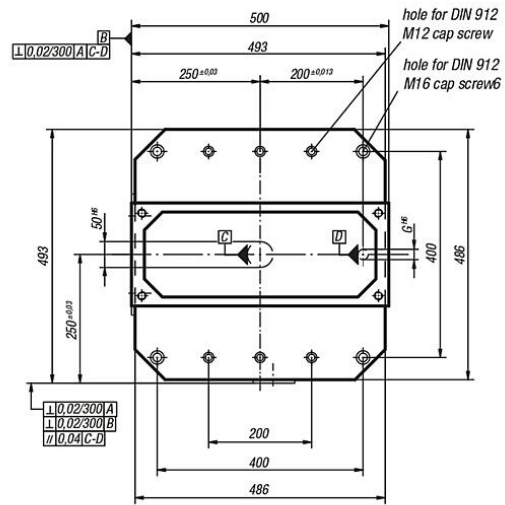
# Tombstones double-sided without grid holes

## Drawings

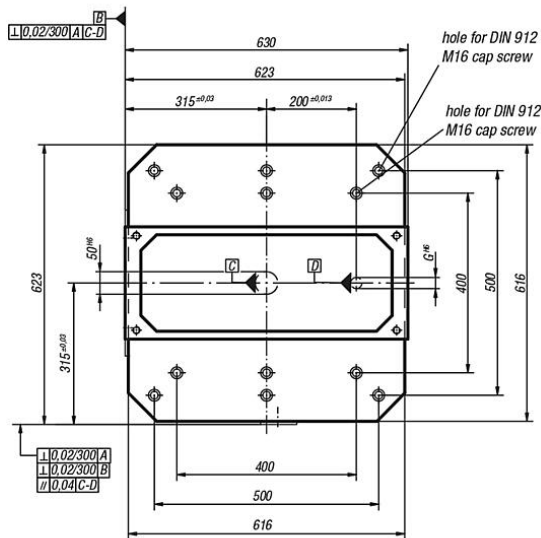
K0803.0040151



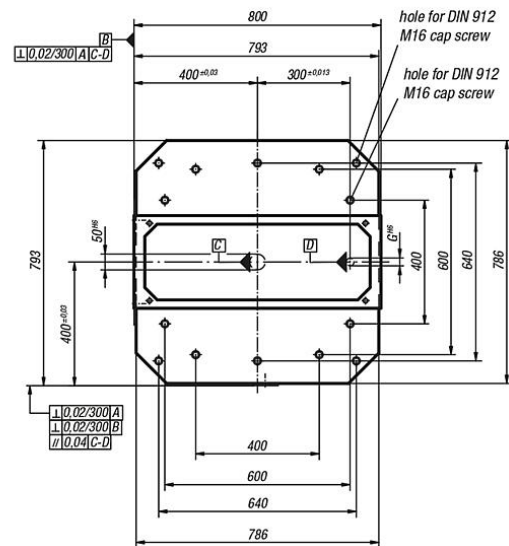
K0803.0050201



K0803.0063251



K0803.008030



## Overview of items

### Tombstones double-sided without grid holes

Order No.	A	B1	C	D	E	E1	G	H	weight ca. kg
K0803.0040151	553	550	55	151±0,2	200	75,5 ±0,2	20	50	202
K0803.0050201	653	650	75	201±0,2	250	101,5 ±0,2	20	50	317
K0803.0063251	803	800	100	251±0,2	315	125,5 ±0,2	25	55	537
K0803.008030	803	800	135	301±0,2	400	150,5 ±0,2	25	60	726

