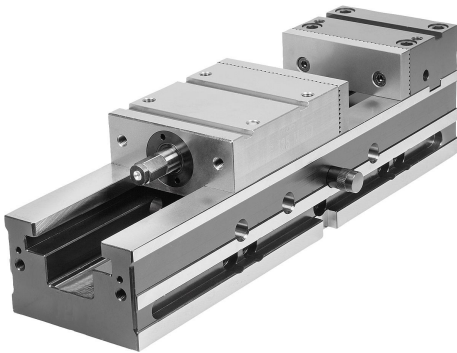


# NC vice jaw width 125 mm

## Item description/product images



### Description

**Material:**

Body and jaw holder mild steel.

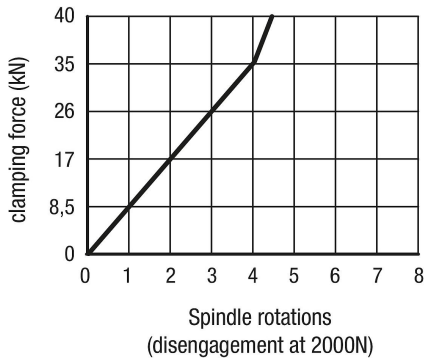
**Version:**

Hardened and ground all sides.

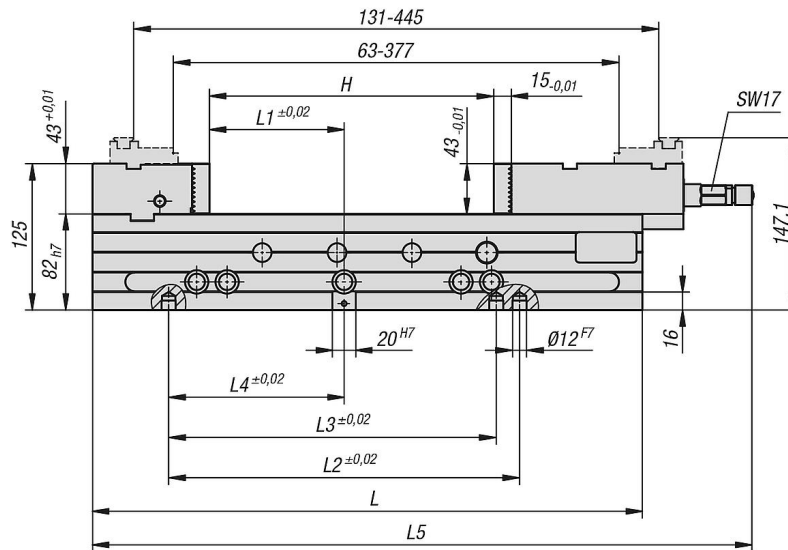
**Features:**

NC vices can be used for a wide range of clamping tasks:

- Repeat accuracy  $\leq 0.01$  mm
- Fixed jaw locked in all directions (X,Y,Z)
- Vertical use directly on the machine table
- Wide clamping range by using attachment step jaws
- Can be laid on the side, with fastening holes for slot spacing of 63 mm and 100 mm
- Quick pre-adjustment of the clamping range using locking pins
- Basic equipment includes two reversible screw-on jaws and one crank handle



## Drawings



## Overview of items

### NC vice jaw width 125 mm

Order No.	B	L	L1	L2	L3	L4	L5	H clamping range	weight kg
K1238.125470	125	470	115	300	280	150	564	0-239	37,6

