

Spring plungers smooth version, self-clamping, plastic

Item description/product images



Description

Material:

Sleeve thermoplastic.
Spring stainless steel.
Ball stainless steel or POM.

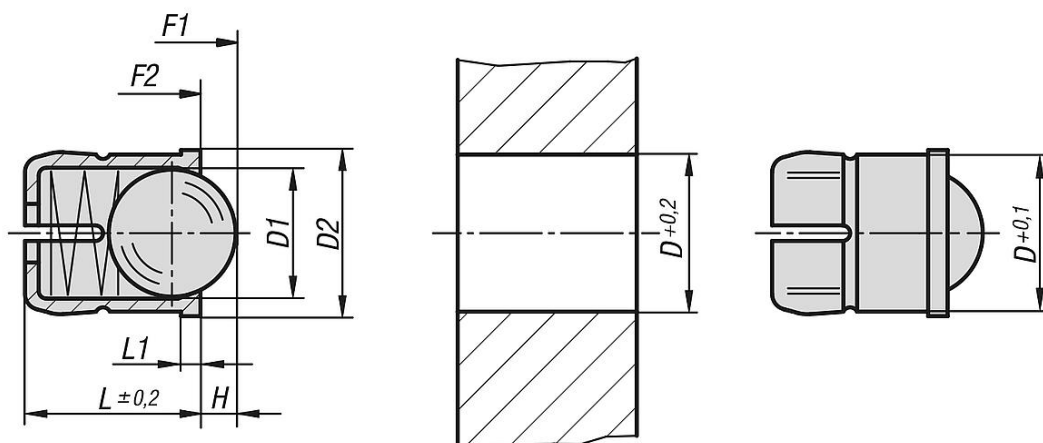
Version:

Sleeve black.
Ball hardened, bright.

Note:

The self-locking function of the spring plunger enables simple assembly and secure overhead installation.

Drawings



Overview of items

Spring plungers, smooth version, self-locking, plastic

Order No.	Component material	D	D1	D2	L	L1	H	Spring force initial pressure F1 approx. N	Spring force final pressure F2 approx. N
K1171.04	stainless steel	4	3	4,6	5	1	0,8	3	6,5
K1171.05	stainless steel	5	4	5,6	6	1	1	6	9,4
K1171.06	stainless steel	6	5	6,5	7	1	1,6	6,2	12,6
K1171.08	stainless steel	8	6,5	8,5	9	1	1,9	10	20,4
K1171.10	stainless steel	10	8	11	13,5	1,5	2,4	11,9	22,3
K1171.204	POM	4	3	4,6	5	1	0,8	3	6,5
K1171.205	POM	5	4	5,6	6	1	1	6	9,4
K1171.206	POM	6	5	6,5	7	1	1,6	6,2	12,6
K1171.208	POM	8	6,5	8,5	9	1	1,9	10	20,4
K1171.210	POM	10	8	11	13,5	1,5	2,4	11,9	22,3

