

Adapter for collets

Item description/product images



Description

Material:

Carbon steel.

Version:

nickel-plated.

Note:

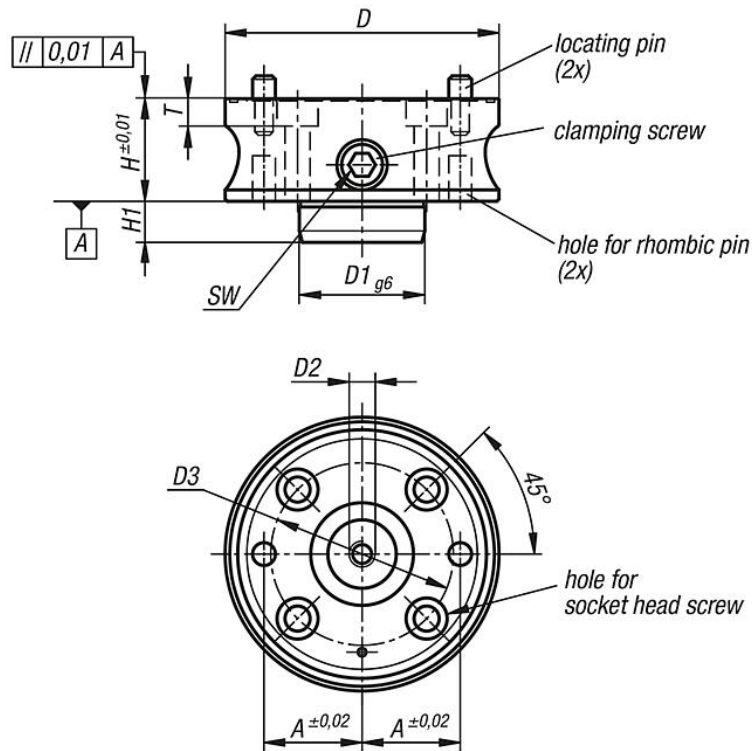
With this adaptor, collets for internal and external clamping can be mounted.

The workpiece is clamped by tightening the screw on the side.

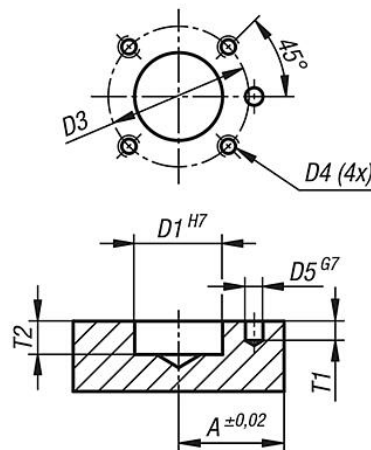
A dowel pin is used to secure the adaptor against rotation.

The collet is positioned on the adaptor with 2 dowel pins.

Drawings



installation dimensions



Overview of items

Adapter for collets

Order No.	A	D	D1	D2	D3	D4	D5	H	H1	SW	T	T1	T2	for screws	Tightening torque max. Nm	F1=Max. outer clamping (kN)	F2=Max. internal clamping (kN)
K1183.065	22	65	28	M8	42	M6x1	6	35	12	8	8	6	13	M6	15	4,5	4,5
K1183.090	30	90	42	M10	60	M8x1,25	8	40	14	8	10	8	15	M8	25	7	7
K1183.120	43	120	55	M10	80	M10x1,5	10	45	18	10	12	11	19	M10	40	10	10
K1183.160	60	160	63	M12	110	M12x1,75	12	50	24	10	14	13	25	M12	40	12	10

