

# Hinges steel, maintenance-free, Form B

## Item description/product images

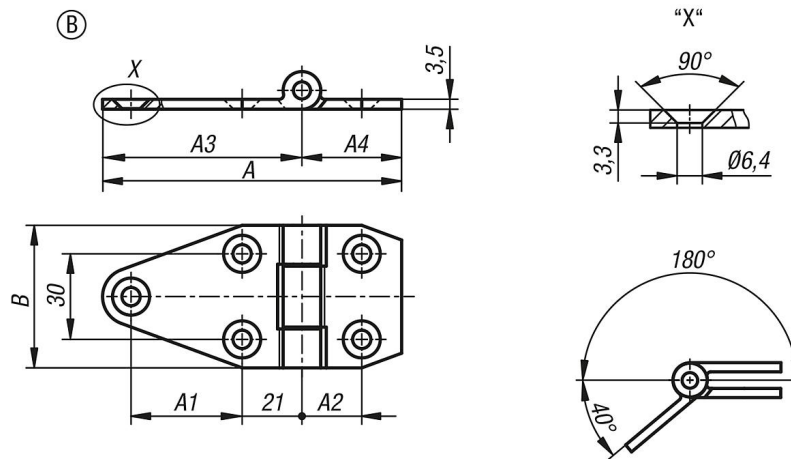


### Description

**Material:**  
Profile steel.  
Bush Metaloplast.

**Version:**  
Steel parts electro zinc-plated.

## Drawings



## Overview of items

Order No.	Form	A	A1	A2	A3	A4	B
K1141.06703550	B	105	39	21	70	35	50