

Screw plugs with collar and hexagon socket DIN 908

Item description/product images



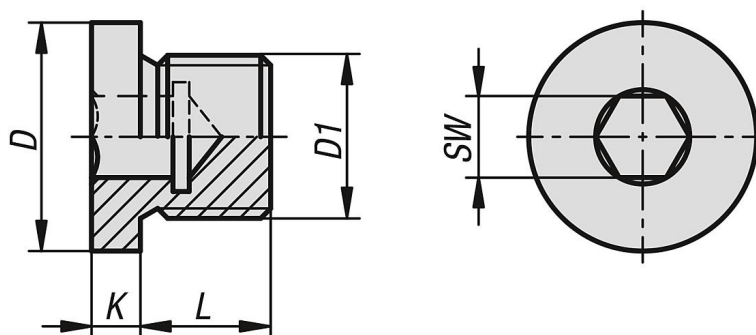
Description

Material:
Steel.

Version:
Electro zinc-plated.

Note:
Screw plugs with collar and hexagon socket for plugging holes with parallel threads.

Drawings



Overview of items

Screw plugs with collar and hexagon socket DIN 908

Order No.	D	D1	K	L	SW
K1130.100810	12	M8x1	3	8	4
K1130.101010	14	M10x1	3	8	5
K1130.101215	17	M12X1,5	3	12	6
K1130.101415	19	M14X1,5	3	12	6
K1130.101615	21	M16X1,5	3	12	8
K1130.101815	23	M18X1,5	4	12	8
K1130.102015	25	M20X1,5	4	14	10
K1130.102215	27	M22X1,5	4	14	10
K1130.102415	29	M24X1,5	4	14	12
K1130.102615	31	M26X1,5	4	16	12
K1130.102720	32	M27X2	4	16	12
K1130.103015	36	M30X1,5	4	16	17
K1130.103320	39	M33X2	5	16	17
K1130.103615	42	M36X1,5	5	16	19
K1130.104215	49	M42X1,5	5	16	22
K1130.104220	49	M42X2	5	16	22
K1130.104815	55	M48X1,5	5	16	24
K1130.104820	55	M48X2	5	16	24
K1130.10018	14	G1/8	3	8	5
K1130.10014	18	G1/4	3	12	6
K1130.10038	22	G3/8	3	12	8
K1130.10012	26	G1/2	4	14	10
K1130.10034	32	G3/4	4	16	12
K1130.10100	39	G1	5	16	17
K1130.10114	49	G1 1/4	5	16	22
K1130.10112	55	G1 1/2	5	16	24

