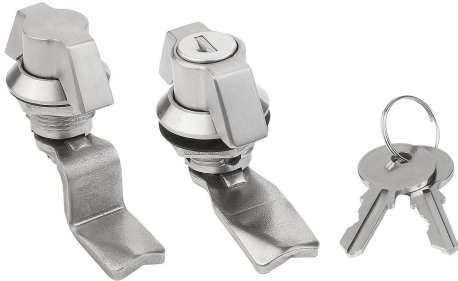


Quarter-turn locks, stainless steel with wing grip

Item description/product images



Description

Material:

Stainless steel 1.4401.

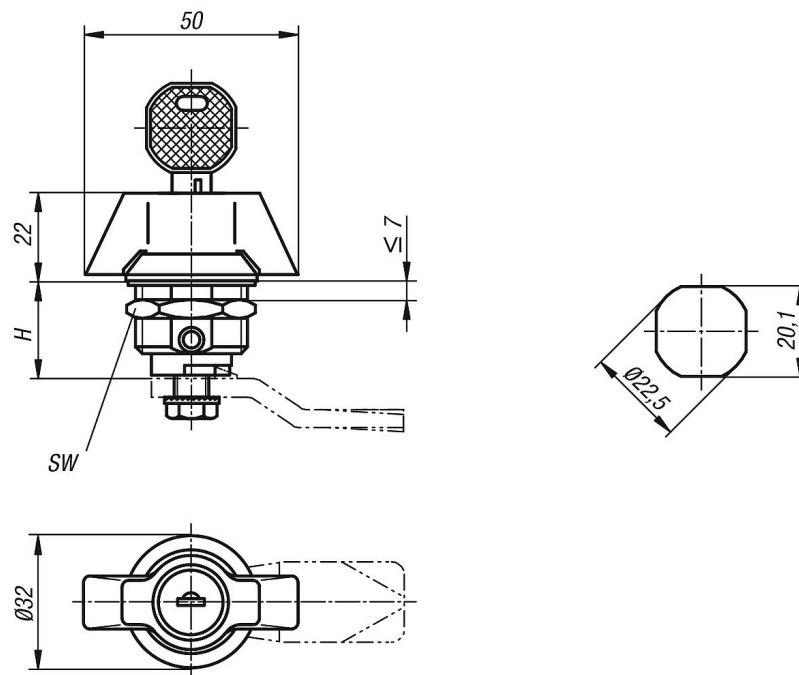
Version:

Bright.

Note:

Quarter-turn lock with wing grip. For right or left mounting with 90° closing. The quarter-turn lock can be installed pre-assembled. Supplied with standard stainless-steel nut. The lockable quarter-turn lock is supplied with 2 keys. The key can be removed in both the closed and open position. The cylinder locks have a single-key system i.e. the same key works in all locks (lock type 1333).

Drawings



Overview of items

Order No.	Actuation	H	SW
K1108.1186	wing grip	18	27
K1108.2186	lockable grip	18	27