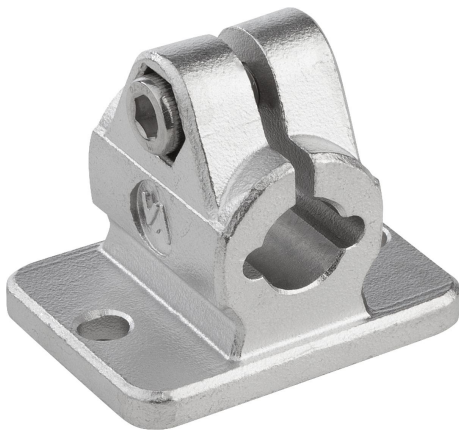
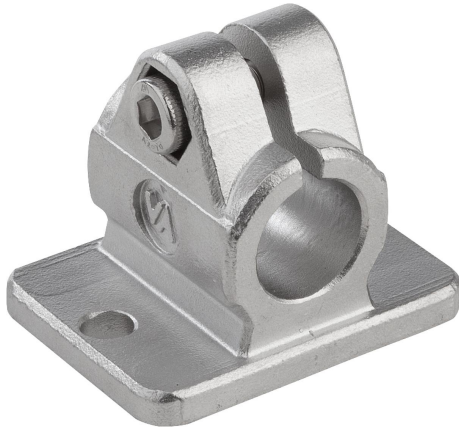


Tube clamps flange, stainless steel, Form A

Item description/product images



Description

Material:

Stainless steel investment cast 1.4308.

ISO 4762 cap screw and ISO 4032 nut, stainless steel.

Version:

Clamping levers for tightening.

On request:

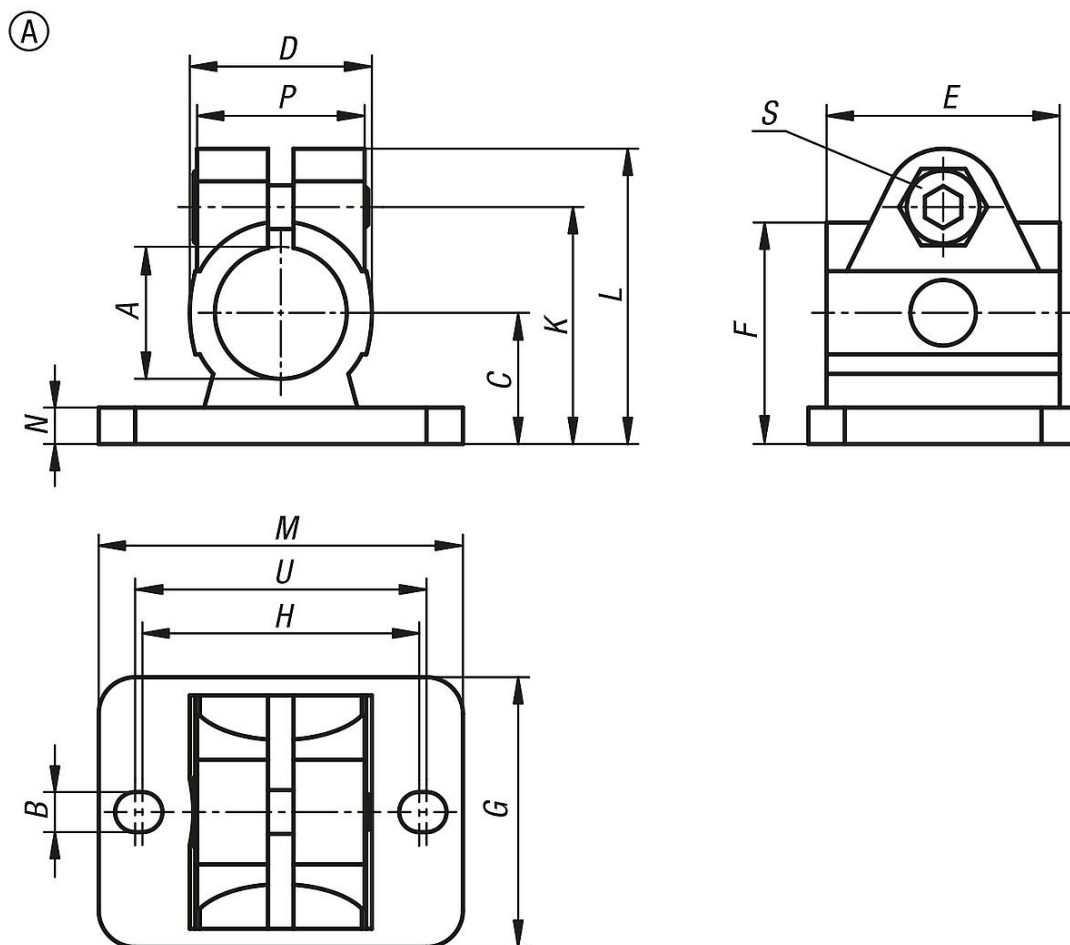
Electropolished.

Accessory:

- Round and square tubes K0493

Tube clamps flange, stainless steel, Form A

Drawings



Overview of items

Tube clamps flange, stainless steel

Order No.	Form	A	B	C	D	E	F	G	H	K	L	M	N	P	S	U
K0479.112	A	12,1	5,5	18	25	32	30,4	37	38	32,5	40,5	50	5	23	M6x18	40
K0479.114	A	14,1	5,5	18	25	32	30,4	37	38	32,5	40,5	50	5	23	M6x18	40
K0479.116	A	16,1	5,5	18	25	32	30,4	37	38	32,5	40,5	50	5	23	M6x18	40
K0479.118	A	18,1	5,5	18	25	32	30,4	37	38	32,5	40,5	50	5	23	M6x18	40
K0479.120	A	20,1	5,5	18	25	32	30,4	37	38	32,5	40,5	50	5	23	M6x18	40