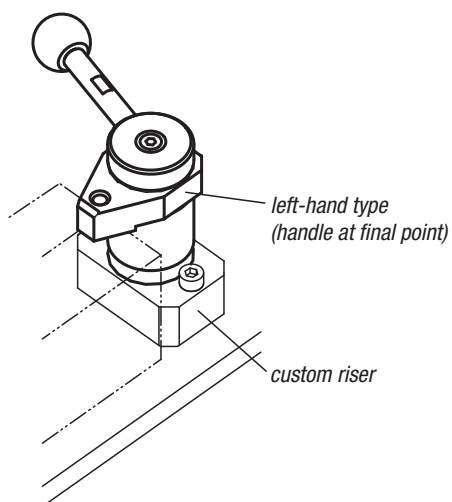
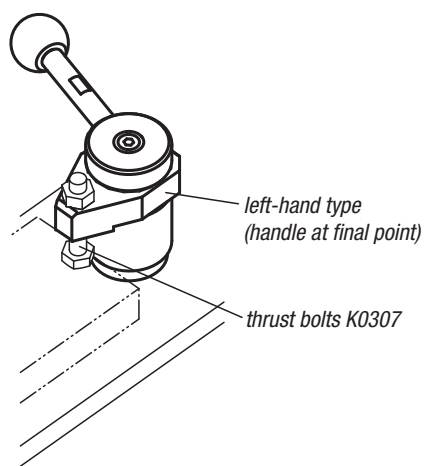
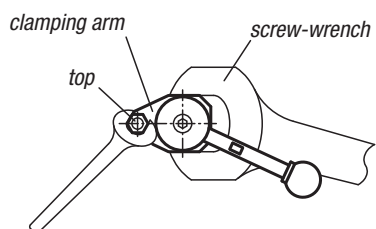


Technical Informations for Swing Clamps



Top installation



When installing a top on the clamping arm, lock the clamping arm using a screw-wrench to prevent it from receiving.

Notes

