

Clamping plates recessed for quarter-turn clamp locks

Item description/product images



Description

Version:

Housing nickel-plated or bright.

Note:

M2 or M3 fastening screws are supplied.

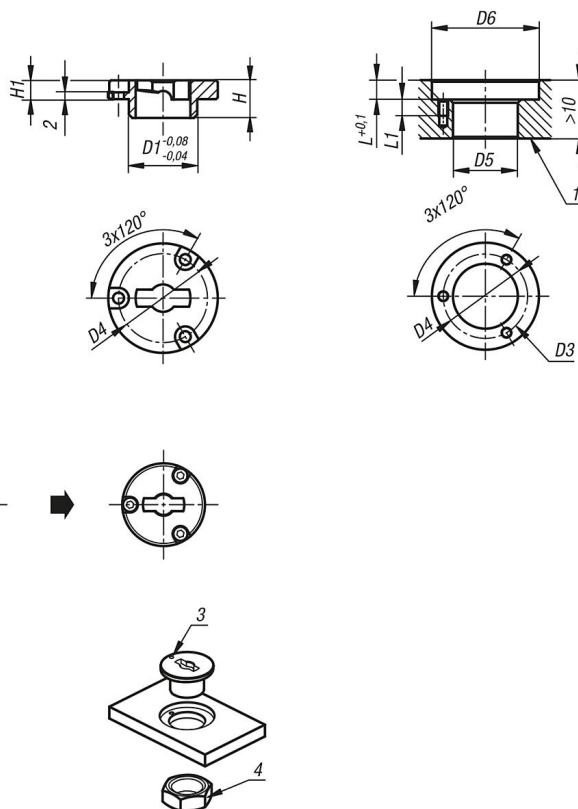
Form B mounting option for plate thickness over 10 mm

Drawing reference:

- 1) plate
- 2) quarter-turn clamp lock
- 3) locating pin
- 4) nut

Drawings

Ⓑ
Clamping plate recessed
for plate thickness > 10 mm



Overview of items

Order No.	Form	Main material	Version 2	D	D1	D2	D4	H	H1	D3 for screw to DIN 912	D5	D6	L	L1
K1062.501	B	steel	countersunk	5	14	25	21	9	4,5	M2	14	26	5	4
K1062.801	B	steel	countersunk	8	20	32	26	11	5,5	M3	20	33	6	5
K1062.1501	B	stainless steel	countersunk	5	14	25	21	9	4,5	M2	14	26	5	4
K1062.1801	B	stainless steel	countersunk	8	20	32	26	11	5,5	M3	20	33	6	5

Clamping plates recessed for quarter-turn clamp locks

Overview of items
