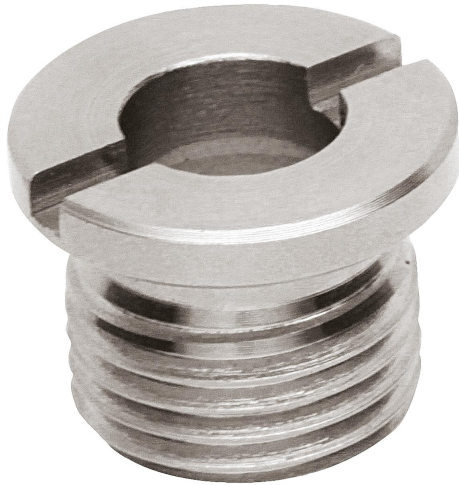


## Locating bushes for ball lock pin

### Item description/product images



### Description

**Material:**

Steel or stainless steel.

**Version:**

Steel nickel-plated.

Stainless steel bright.

**Note:**

Mounting dimensions for Form A:

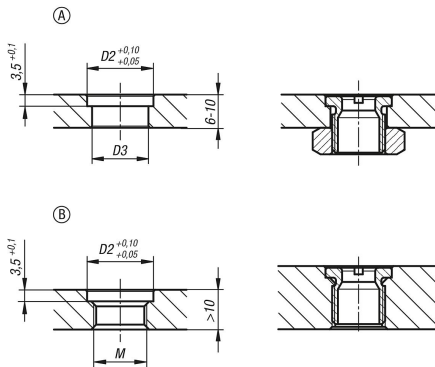
Mounting with nut, max. plate thickness 10 mm.

Mounting dimensions for Form B:

Screwed in, for plate thicknesses over 10 mm or in a blind hole.

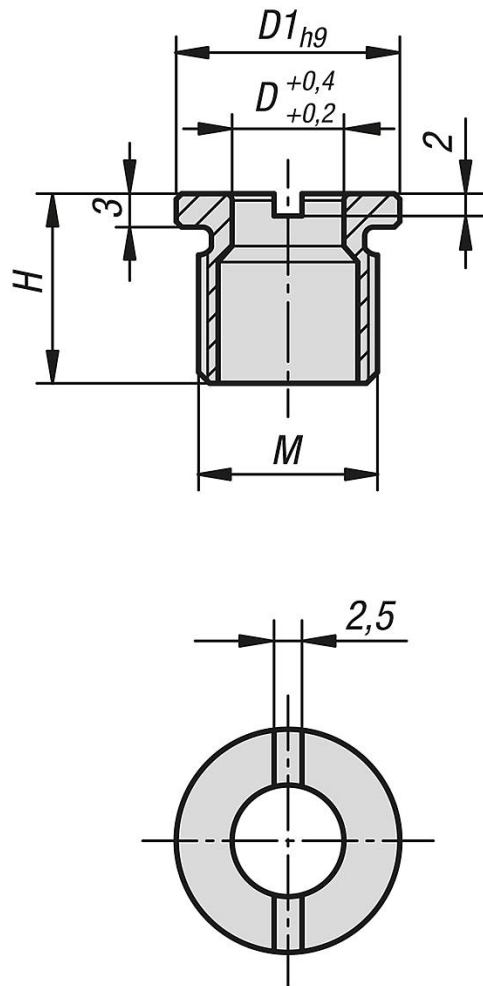
**On request:**

Suitable nuts (K0700) and assembly tool (K0317).



## Locating bushes for ball lock pin

### Drawings



### Overview of items

#### Locating bushes for ball lock pin

Order No.	Material	D	D1	M	H	D2	D3
K1065.6	steel	6	16	M12x1,5	15	16	13
K1065.10	steel	10	20	M16x1,5	17	20	17
K1065.61	stainless steel	6	16	M12x1,5	15	16	13
K1065.101	stainless steel	10	20	M16x1,5	17	20	17