

Positioning units

Item description/product images



Description

Material, version:

Body and locating pin carbon steel, tempered and black oxidised.

Handle carbon steel, tempered.

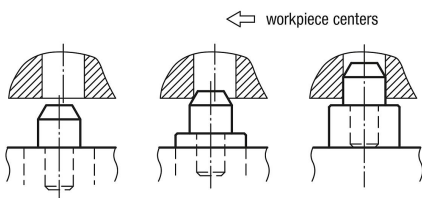
Ball knob black thermoset PF 31.

Note:

* Admissible hand force for the handle.

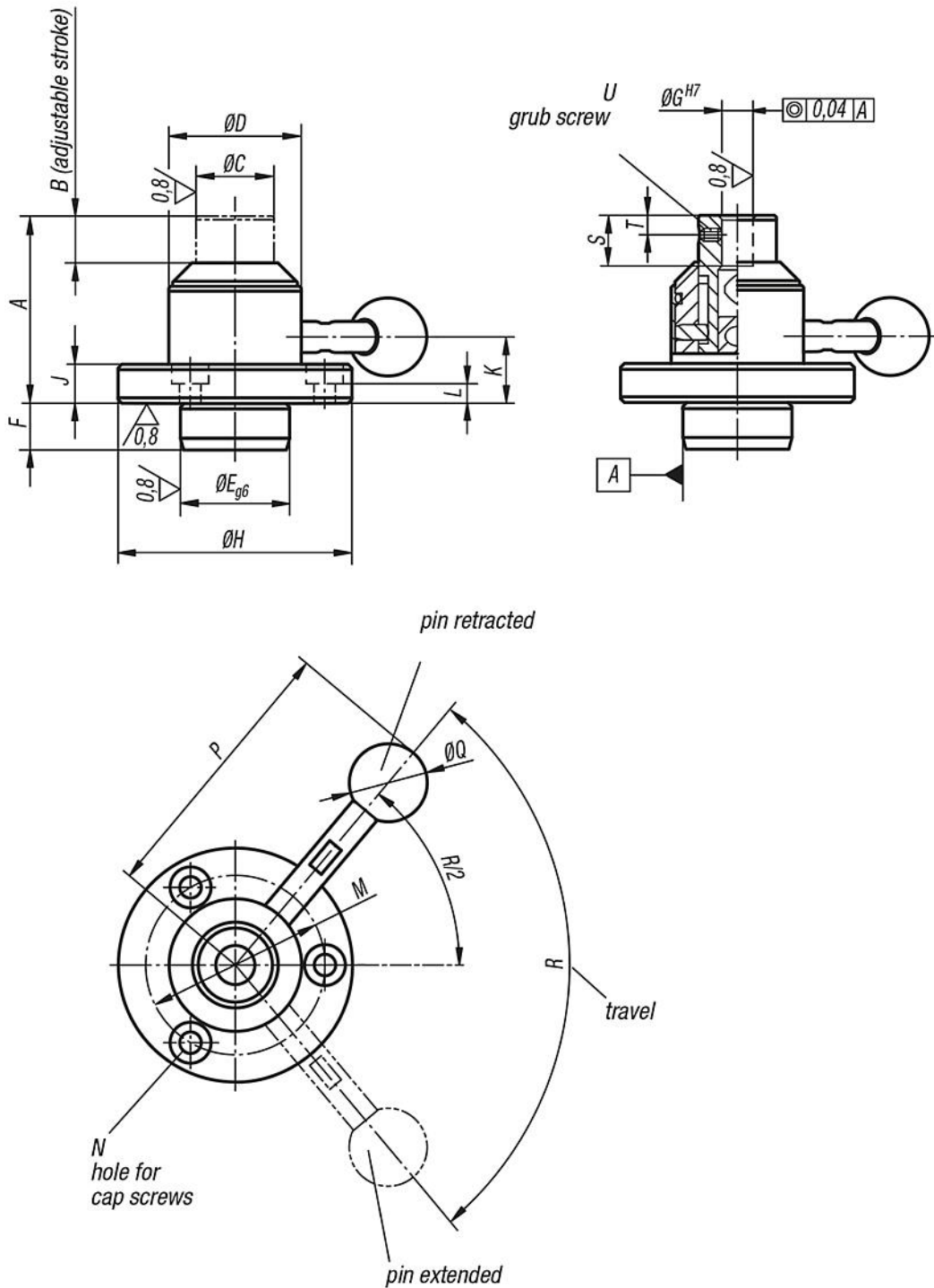
** Workpieces up to this weight can be located.

1. roughly position 2. raise pin 3. located



Positioning units

Drawings



Overview of items

Positioning units

Positioning units

Overview of items

Order No.	A	B	C	D	E	F	G	H	J	K	L	M	N	P	Q	R	S	T	U	Hand force FH N	Max. workpiece weight kg
K0918.2808	48	12	20	34	28	12	8	60	10	17	5	46	M5	71	20	100	13	5	M4x5	150*	250**
K0918.4212	61	15	30	48	42	14	12	80	13	23	7	63	M6	94	25	90	15	8	M6x8	200*	300**