

## Dowel pin puller

### Item description/product images

---



### Description

**Material:**

Hammer head carbon steel.  
Shaft, stop and guide sleeves tool steel.

**Version:**

Slide hammer tempered and chromed.  
Shaft, stop and guide sleeve hardened and chromed.

**Note:**

These extractors are used to remove locating pins and centring pins (K0817, K0818, K0350, K0351) with M3 - M8 tapped holes.

**Accessory:**

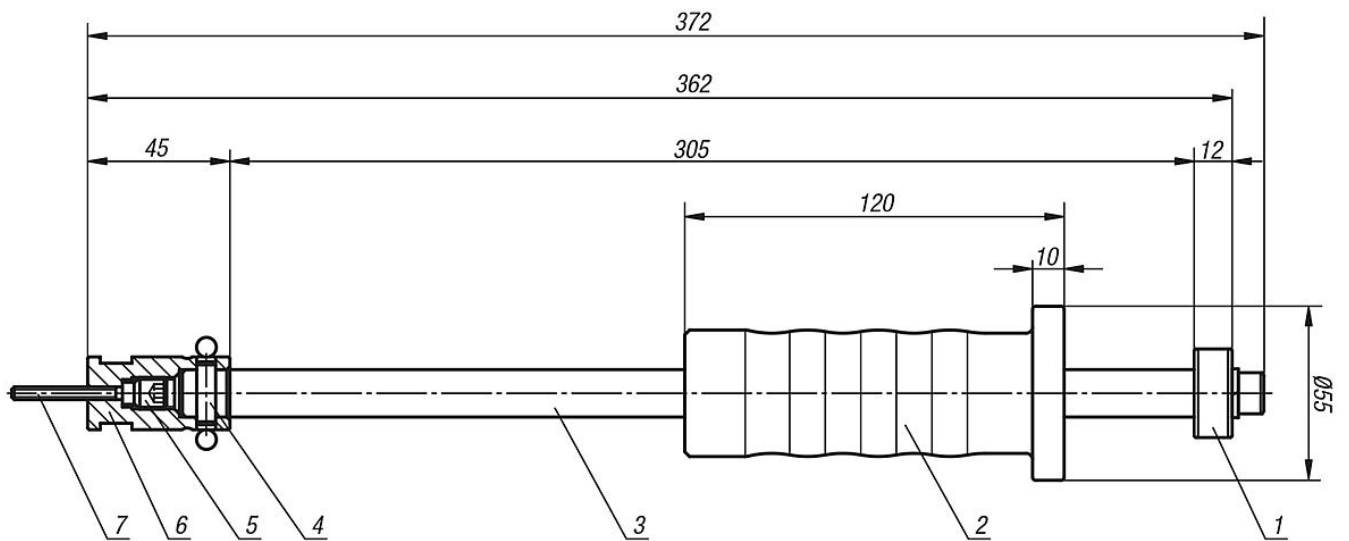
Storage case for guide sleeves.

**Drawing reference:**

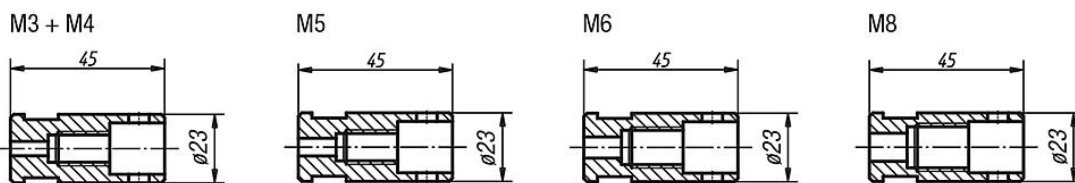
- 1) stop
- 2) slide hammer
- 3) shaft
- 4) cross pin
- 5) lock screw
- 6) guide sleeve
- 7) cap screw
- 8) 1 set guide sleeves

# Dowel pin puller

## Drawings



⑧



## Overview of items

### Dowel pin puller

Order No.	Dimensions
K0873.40	see drawing