

Slot keys

Item description/product images

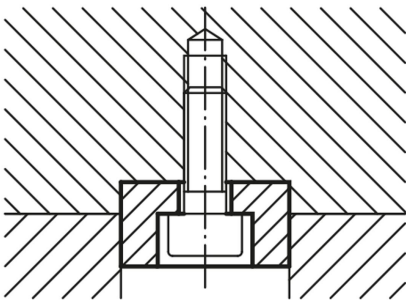


Description

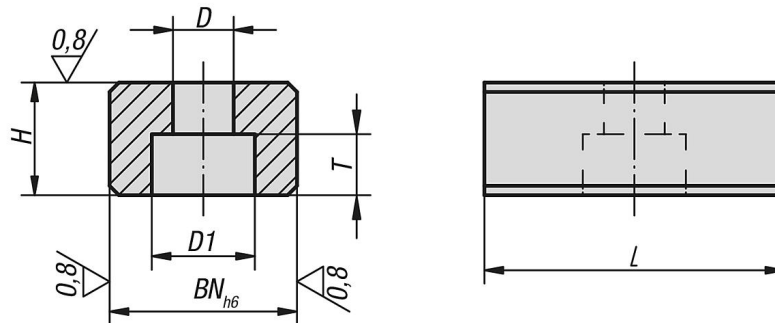
Material:
Steel.

Version:
Case-hardened, black oxidised and ground.

Note:
Slot keys are used to align fixtures and clamps on machine tables with DIN 650 T-slots. They are screwed into the fixture alignment slots. Slot keys are only used when the fixture and machine table have the same slot width.



Drawings



Overview of items

Slot keys

Order No.	BN=Slot width	D	D1	H	L	T	for screws DIN 84 or 912
K0864.10	10	4,5	8	8	20	4,3	M4x10
K0864.12	12	5,3	10	8	20	5,3	M5x12
K0864.14	14	6,6	11	10	22	6,3	M6x16
K0864.16	16	6,6	11	10	22	6,3	M6x16
K0864.18	18	6,6	11	10	22	6,3	M6x16
K0864.20	20	6,6	11	10	22	6,3	M6x16
K0864.22	22	6,6	11	12	32	6,3	M6x16

