

Aluminium protection plugs

Item description/product images



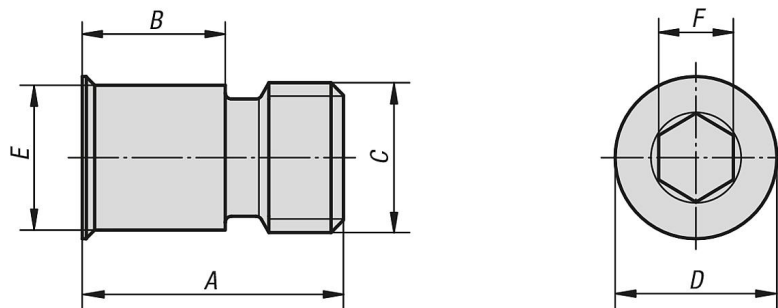
Description

Material:
Aluminium.

Version:
Bright.

Note:
Use these plugs to seal grid holes and protect them from swarf and dirt.
Leave the protection plugs in holes not in use! Aluminium plugs are used when aggressive coolants are used or when cutting dry.

Drawings



Overview of items

Aluminium protection plugs

Order No.	A	B	C	D	E	F
K0862.60108015	15	7,5	M8	12,6	11,8	5
K0862.60112021	21	11,5	M12	13	11,6	6
K0862.60116026	26	15	M16	17	15,6	8