

Clamp springs

Item description/product images



Description

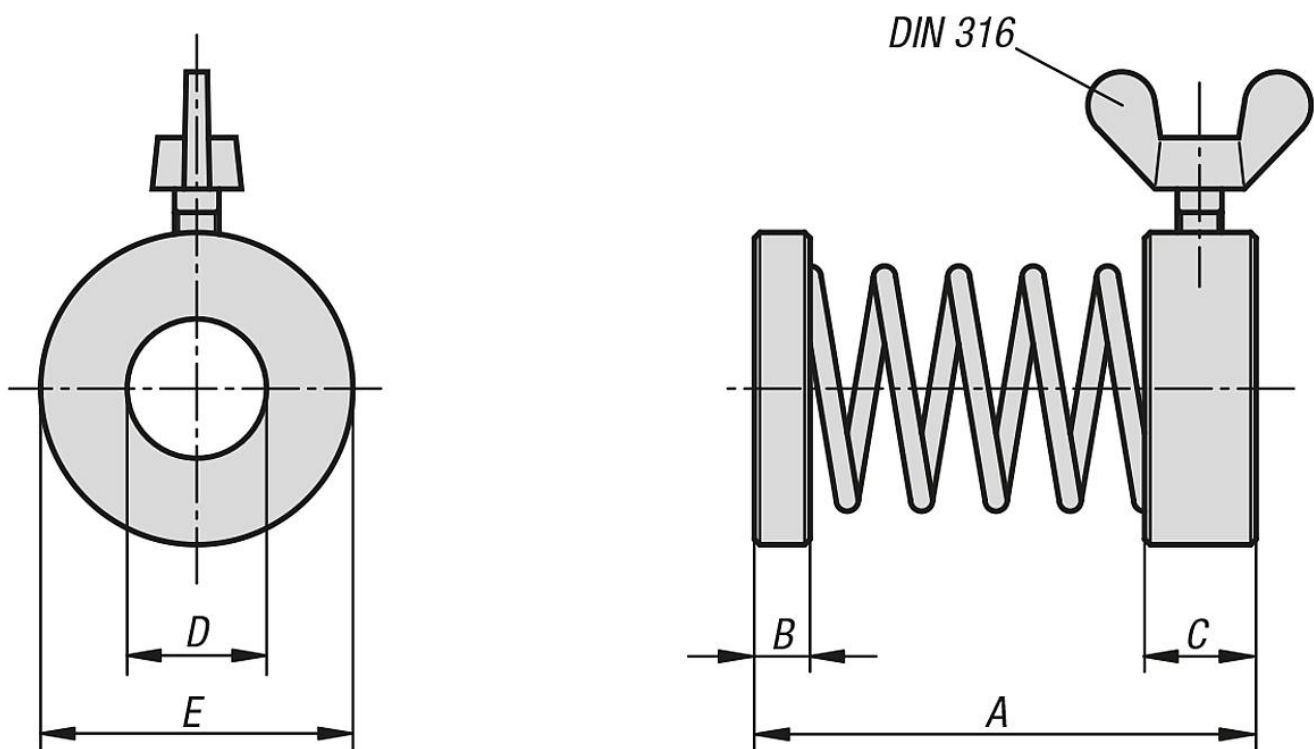
Material:

Thrust and retaining ring carbon steel.
Spring, spring steel.

Version:

Thrust and retaining ring black oxidised.
Spring bright.

Drawings



Overview of items

Clamp springs

Order No.	A	B	C	D	E	Wing nuts to DIN 316
K0859.08029	29	2	6	8,5	16	M4x6
K0859.12046	46	3	8	13	25	M4x10
K0859.16050	50	4	8	16,5	28	M5x10

